



A000673893

OFFICE OF THE COUNTY RECORDER  
 CASS COUNTY, MINNESOTA  
 CERTIFIED, FILED, AND/OR  
 RECORDED ON

6/25/2021 10:25:46 AM

AS DOC #: A000673893

PAGES: 2

REC FEES: 0.00

KATHRYN M. NORBY  
 CASS COUNTY RECORDER

BY NG Dep TX#: 172922

Index No. R.0-3.0

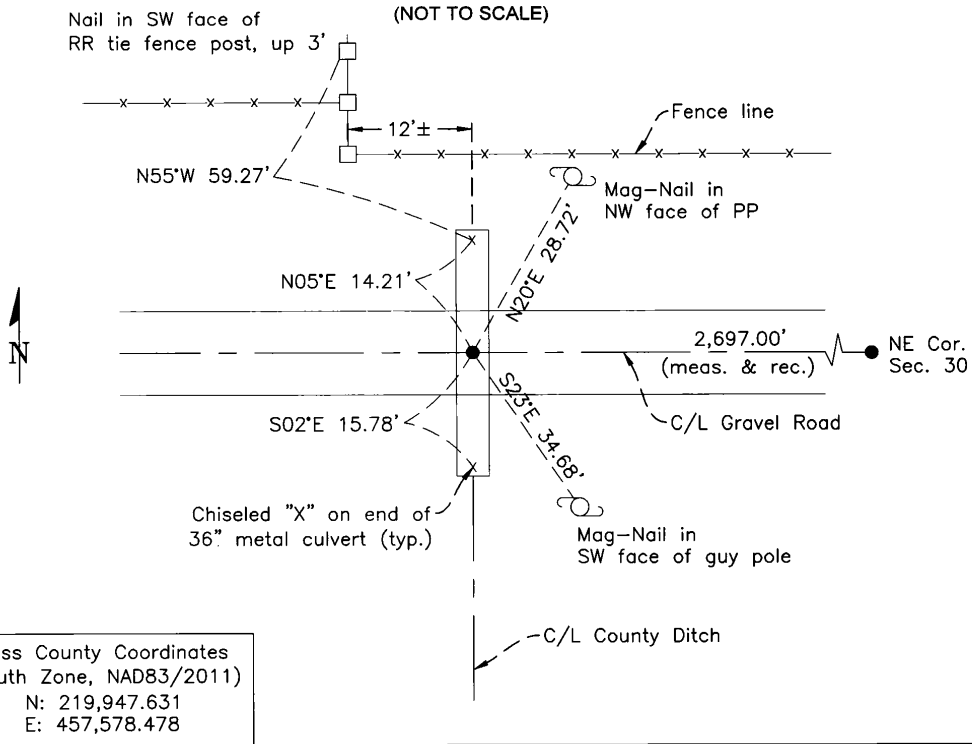
### CERTIFICATE OF LOCATION OF GOVERNMENT CORNER

North 1/4 Corner of Section 30, Township 135 N, Range 31 W, 5th P.M.  
 County of Cass, State of Minnesota

At the corner location shown on the sketch :

- On June 15, 2021 found 7/8" o.d. iron pipe with red plastic cap #23668,  
8" below the surface of a gravel road.
- left monument as found     lowered monument     removed monument (explain)
- On \_\_\_\_\_ set \_\_\_\_\_

#### SKETCH OF REFERENCE TIES



Cass County Coordinates  
 (South Zone, NAD83/2011)  
 N: 219,947.631  
 E: 457,578.478

Statement of evidence relative to this corner location is on the back of this page

I hereby certify that this survey, plan, or report was prepared by me or under my direct supervision and that I am a duly Licensed Land Surveyor under the laws of the state of Minnesota.

*Aaron J. Skattum*  
 Aaron J. Skattum  
 Cass County Surveyor  
 MN License No. 54139

6-23-2021  
 Date



Index No. R.0-3.0

**STATEMENT OF EVIDENCE**

North 1/4 Corner of Sec. 30, T.135N., R.31W., 5th P.M., Cass County, MN

1870 R. Cronk, U.S. General Land Office, originally established this corner while surveying the subdivision lines of this township, and set a wood post to mark the corner position with the following witnesses:

13" Oak	N87°E	6	25 links (412.50')
14" Linden	S85°E	6	95 links (458.70')

Information on file at the MN Historical Society, St. Paul, MN. Copies filed with the Cass County Surveyor's Office (CCSO).

1916 F.N. Molyneux, Cass County Field Engineer, (Ditch Book 2/25, Page 15, CCSO records) indicates the 1/4 corner being located in the centerline of a highway running east and west.

1936 R.A. Dahms, Cass County Engineer's Office, (Ditch Book 3/170, Page 22, CCSO records) during a survey of County Aid Road No. 11 in Section 30, notes a distance of 1348.5' from the east 1/16 corner on the north line the section to the north 1/4 corner and the NE corner of the section.

2010 J. Kramer, of Kramer Leas DeLeo (KLD), prepared a certificate of survey (Certificate of Survey #4507, CCSO records), during which the north 1/4 corner of Section 30 was set. KLD established the position holding the road centerline for latitudinal control, and the distance from the NE section corner shown on the 1936 record for longitudinal control, which also matched the county ditch running south. The CCSO requested and was provided ties for this corner by KLD.

2021 A. Skattum, Cass County Surveyor, (per CCSO Project #2021.024) found a 7/8" outside diameter iron pipe with red plastic cap #23668, its top 8" below the surface of a gravel road. Original GLO bearing trees were searched for, but no evidence was found. The found monument was in agreement with previous records and accepted as the corner position. The following ties were noted:

X on culvert end	N05°E	14.21'	2010 tie by KLD
X on culvert end	S02°E	15.78'	2010 tie by KLD
Nail in fence post	N55°W	59.27'	2010 tie by KLD
Mag nail in PP	N20°E	28.72'	2021 tie by CCSO
Mag nail in PP	S23°E	34.68'	2021 tie by CCSO