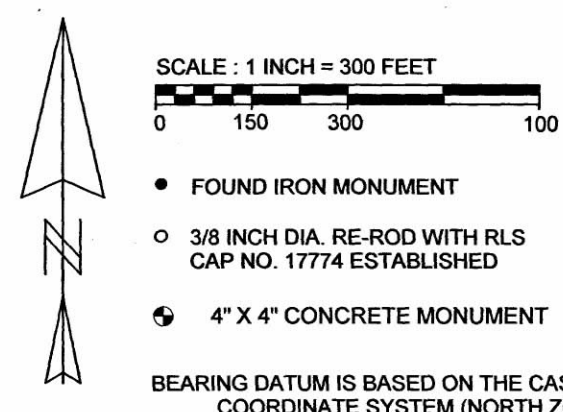
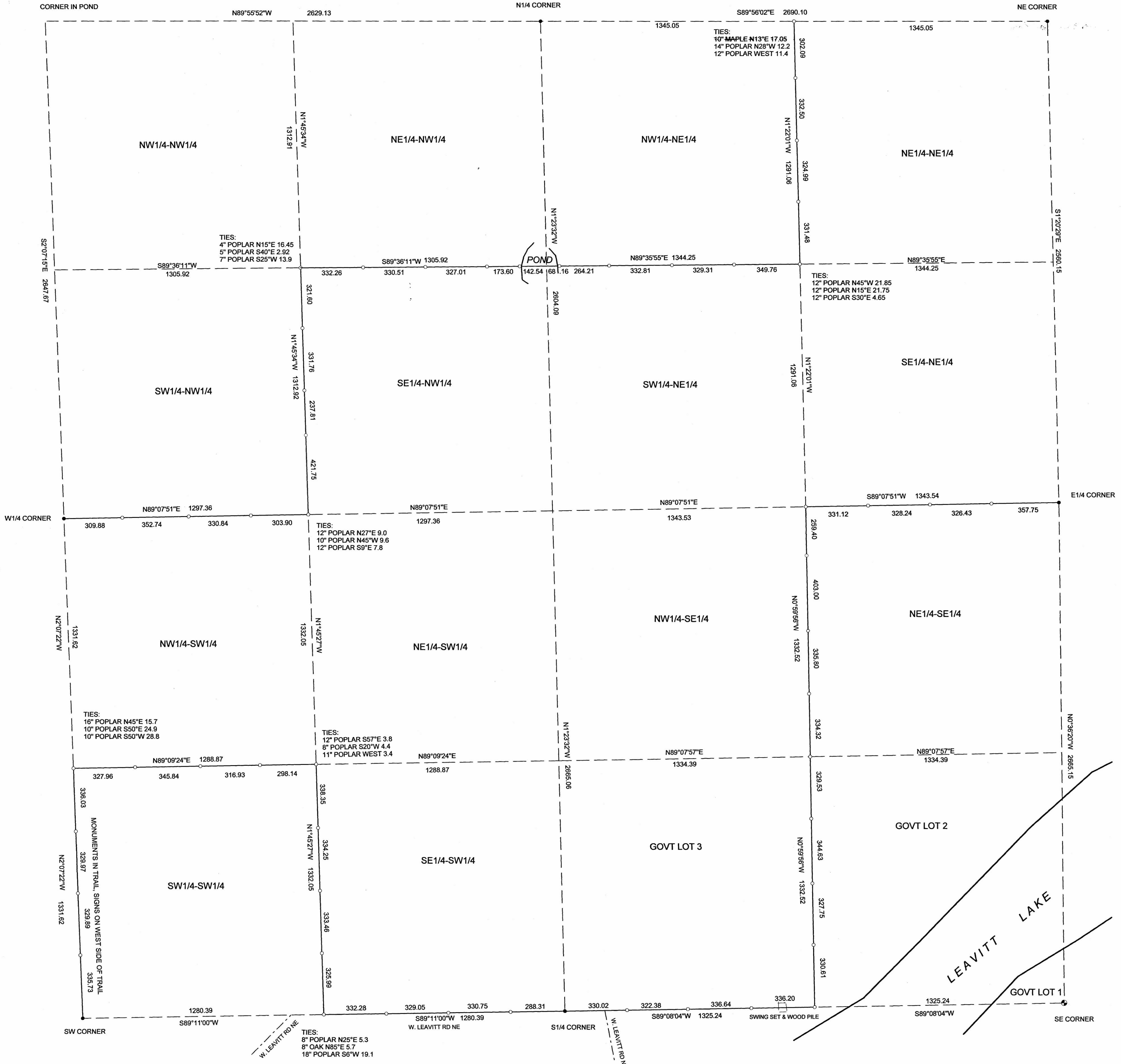


CERTIFICATE OF SURVEY

OF PART OF THE E1/2 OF THE NE1/4, PART OF THE SW1/4-NE1/4, PART OF THE W1/2 OF THE SE1/4, PART OF THE SE1/4-NW1/4, PART OF THE E1/2 OF THE SW1/4 AND PART OF THE NW1/4-SW1/4, ALL IN SECTION 24, TOWNSHIP 139 NORTH, RANGE 26 WEST, CASS COUNTY, MINNESOTA



BEARING DATUM IS BASED ON THE CASS COUNTY COORDINATE SYSTEM (NORTH ZONE)

MARVIN KOHOUT
 LICENSED LAND SURVEYOR
 PO BOX 384
 AITKIN, MN 56431-0384
 218-927-5452

I HEREBY CERTIFY THAT THIS SURVEY PLAN OR REPORT WAS PREPARED BY ME OR UNDER MY DIRECT SUPERVISION AND THAT I AM A DULY LICENSED LAND SURVEYOR UNDER THE LAWS OF THE STATE OF MINNESOTA.

Marvin R. Kohout
 DATE 5 DECEMBER 2017 LIC. NO. 17774