

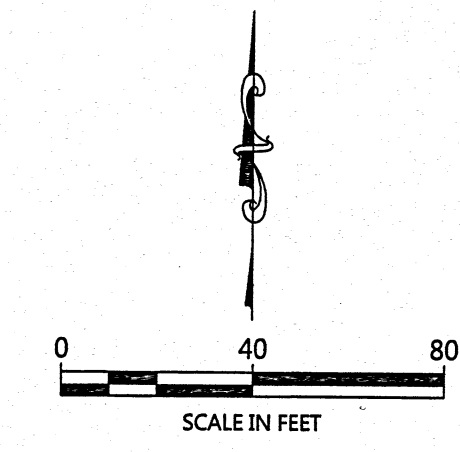
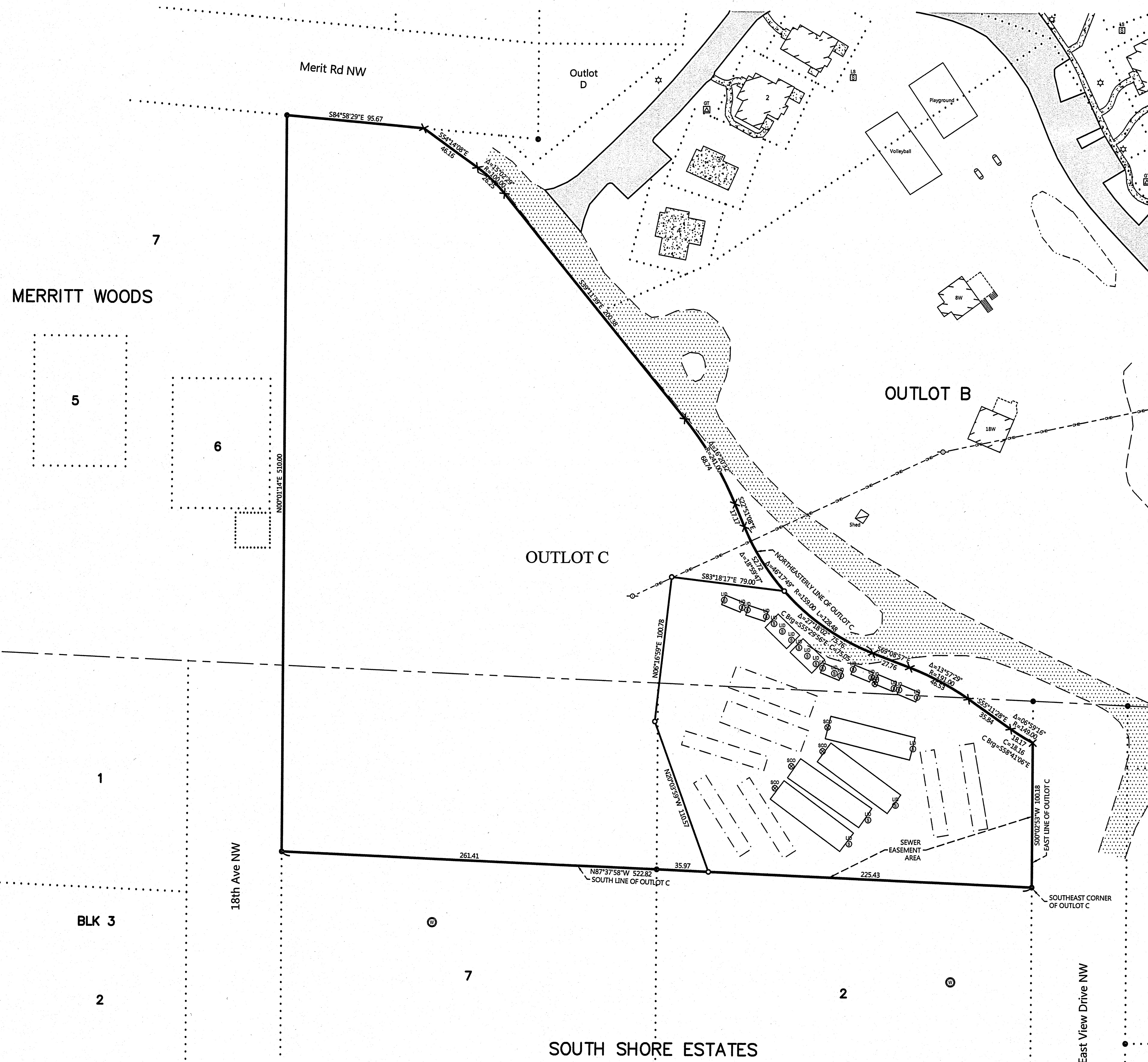
CERTIFICATE OF SURVEY

**OUTLOT C, TRAPPER'S LANDING LODGE ON LEECH LAKE SECOND ADDITION,
SECTION 5, TOWNSHIP 141 NORTH, RANGE 29 WEST,
CASS COUNTY, MINNESOTA**

PROPOSED DESCRIPTION:

SEWER EASEMENT AREA

An easement for installation and maintenance of a sewage treatment system over, under and across that part of Outlot C, TRAPPER'S LANDING LODGE ON LEECH LAKE SECOND ADDITION, according to the recorded plat thereof, Cass County, Minnesota, described as follows: BEGINNING at the southeast corner of said Outlot C; thence North 87 degrees 37 minutes 58 seconds West, assigned bearing, along the south line thereof, 225.43 feet; thence North 20 degrees 03 minutes 59 seconds West 110.57 feet; thence North 06 degrees 16 minutes 59 seconds East 100.78 feet; thence South 83 degrees 18 minutes 17 seconds East 79.00 feet to the intersection with the northeasterly line of said Outlot C; thence southeasterly along said northeasterly line, 75.76 feet, along a nontangential curve, concave to the northeast, having a radius of 159.00 feet, a central angle of 27 degrees 18 minutes 02 seconds, on a chord bearing of South 55 degrees 29 minutes 56 seconds East, and a chord distance of 75.05 feet; thence South 69 degrees 08 minutes 57 seconds East, along said northeasterly line, tangent to said curve, 27.76 feet; thence southeasterly 46.53 feet, along said northeasterly line being a tangential curve, concave to the southwest, having a radius of 191.00 feet, and a central angle of 13 degrees 57 minutes 29 seconds; thence South 55 degrees 11 minutes 28 seconds East, along said northeasterly line, tangent to last said described curve, 35.84 feet; thence southeasterly 18.17 feet, along said northeasterly line being a tangential curve, concave to the northeast, having a radius of 149.00 feet, and central angle of 06 degrees 59 minutes 16 seconds to the east line of said Outlot C; thence South 00 degrees 02 minutes 53 seconds West, along said east line, 100.18 feet to the point of beginning.



ORIENTATION OF THIS BEARING SYSTEM IS BASED ON THE MINNESOTA COUNTY COORDINATE SYSTEM, (CASS COUNTY NORTH ZONE).

LEGEND

- DENOTES MONUMENT FOUND
- DENOTES IRON MONUMENT SET & MARKED BY LICENSE NO. 21367
- × DENOTES CALCULATED POSITION
- DENOTES EXISTING UTILITY POLE
- DENOTES EXISTING UTILITY POLE W/ GUY WIRE
- ★ DENOTES EXISTING MOUNTED LIGHT
- DENOTES OVERHEAD ELECTRIC LINE
- ⊕ DENOTES EXISTING GROUND TRANSFORMER
- ⊕ DENOTES EXISTING LP TANK
- ⊕ DENOTES EXISTING SEPTIC CLEANOUT & SEPTIC TANK LID
- ⊕ DENOTES EXISTING WELL
- ▨ DENOTES EDGE OF EXISTING GRAVEL
- ▨ DENOTES EDGE OF EXISTING BITUMINOUS
- DENOTES ALTERNATE MOUNDS
- DENOTES ALTERNATE SEEPAGE BEDS
- ▭ DENOTES CONSTRUCTED SEEPAGE BEDS

REVISIONS	DATE	DESCRIPTION	BY
1/25/17		Final	Assistant

I HEREBY CERTIFY THAT THIS SURVEY, PLAN OR REPORT WAS PREPARED BY ME OR UNDER MY DIRECT SUPERVISION AND THAT I AM A LICENSED SURVEYOR UNDER THE LAWS OF THE STATE OF MINNESOTA.

TERRY L. FREEMAN
 LIC. NO. 21367

MERRITT LANDMARK & CONSULTING, INC.
 P.O. Box 292, Walker, MN, 56484
 Phone: 218-547-1296, Fax: 218-547-2272
 web: www.merrittusa.com

CERTIFICATE OF SURVEY
 Odyssey Development c/o Bob Ryan
 227 W. 1st St. Suite 650
 Duluth, MN 55802

JOB NO. 16-171
 DATE: 01-09-2017
 SHEET NO.
 1 OF 1