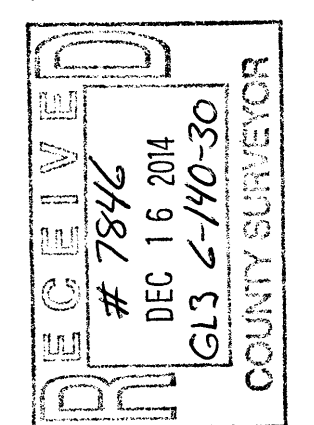


CERTIFICATE OF SURVEY

PART OF LONG BAY SHORES FIRST ADDITION AND GOVERNMENT LOT 3,
SECTION 6, TOWNSHIP 140 NORTH, RANGE 30 WEST,
CASS COUNTY, MINNESOTA



EXISTING DESCRIPTIONS: OBTAINED FROM THE CASS COUNTY RECORDERS OFFICE.

STATE OF MINNESOTA
COUNTY OF CASS

NAME OF DECEDENT: Bonnie H. Thorson
740 87th Lane NW, Blaine, MN 55434

NAME OF SURVIVOR: Howard C. Thorson
740 87th Lane NW, Blaine, MN 55434

STATE OF MINNESOTA
COUNTY OF CASS

NAME OF DECEDENT: Bonnie H. Thorson
740 87th Lane NW, Blaine, MN 55434

NAME OF SURVIVOR: Howard C. Thorson
740 87th Lane NW, Blaine, MN 55434

Subscribed and sworn to before me this 20th day of August, 2014.

Notary Public
Howard C. Thorson
740 87th Lane NW
Blaine, MN 55434

OFFICE OF COUNTY RECORDER
CASS COUNTY, MINNESOTA

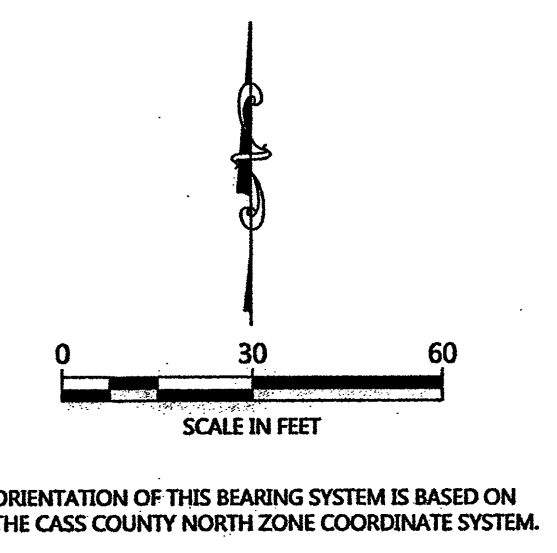
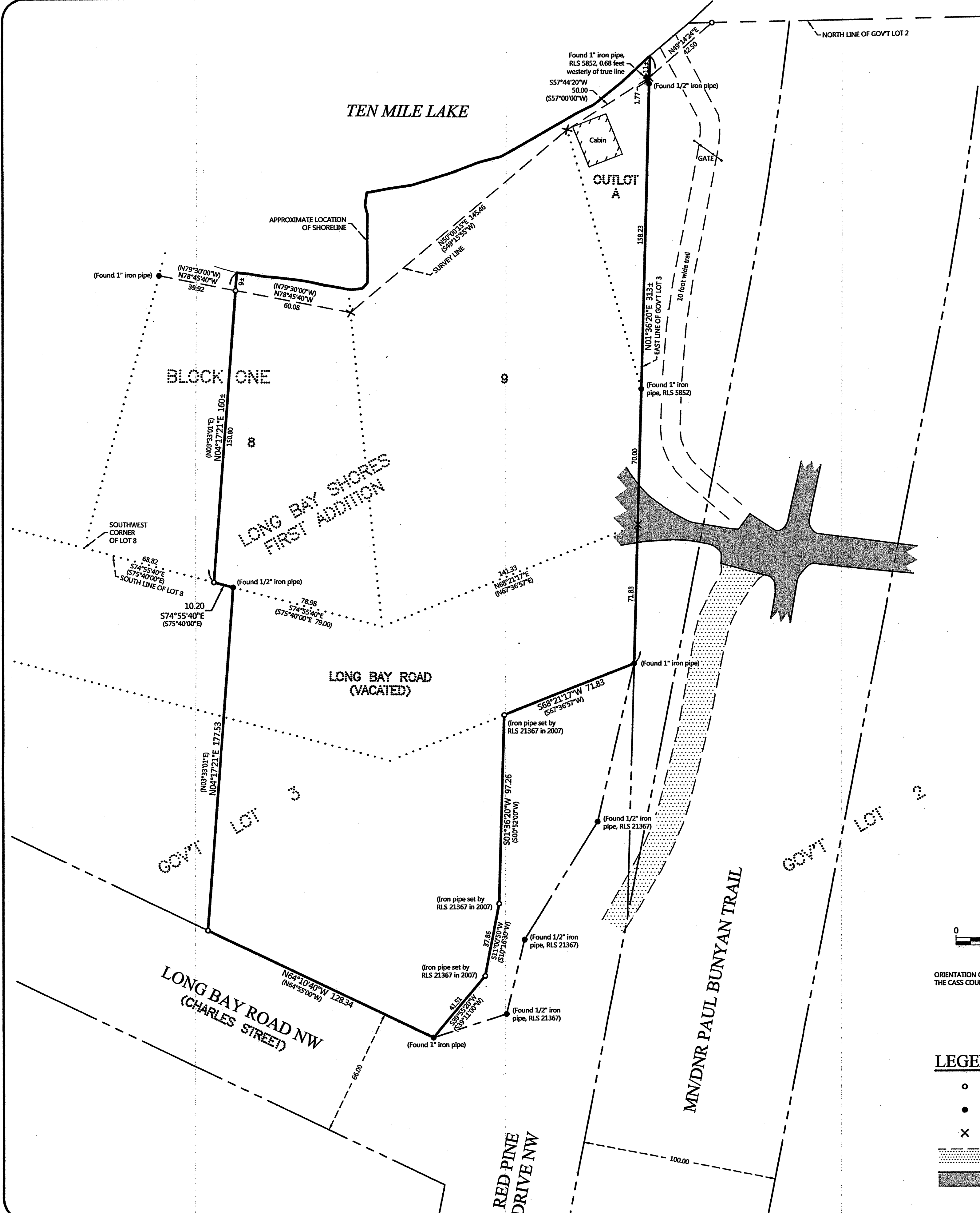
STATE OF MINNESOTA
COUNTY OF CASS

NAME OF DECEDENT: Bonnie H. Thorson
740 87th Lane NW, Blaine, MN 55434

NAME OF SURVIVOR: Howard C. Thorson
740 87th Lane NW, Blaine, MN 55434

Subscribed and sworn to before me this 20th day of August, 2014.

Notary Public
Howard C. Thorson
740 87th Lane NW
Blaine, MN 55434



- LEGEND**
- DENOTES IRON MONUMENT SET & MARKED BY LICENSE NO. 21367
 - DENOTES MONUMENT FOUND
 - × DENOTES CALCULATED POSITION
 - ▨ DENOTES EDGE OF EXISTING GRAVEL
 - ▩ DENOTES EDGE OF EXISTING BITUMINOUS

Clifford Thorson, Alpha 888-1118

Clifford Thorson and Rita (Chick) Thorson, Married and wife.

State of Minnesota.

County of Cass.

Attorney at Law
Howard C. Thorson, 740 87th Lane NW, Blaine, MN 55434

Page 4 of 4 Pages

NO.	DATE	DESCRIPTION
1	11-07-2014	Address Change Location

I HEREBY CERTIFY THAT THIS SURVEY PLAN OR REPORT WAS PREPARED BY ME OR UNDER MY DIRECT SUPERVISION AND THAT I AM A DULY LICENSED LAND SURVEYOR UNDER THE LAWS OF THE STATE OF MINNESOTA.

TERRY L. RIEGMAN
LIC. NO. 21367



CERTIFICATE OF SURVEY
Howard Thorson
4610 Long Bay Rd NW
Hackensack, MN 56452