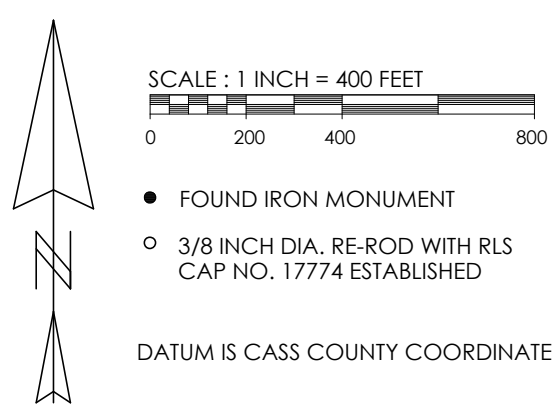
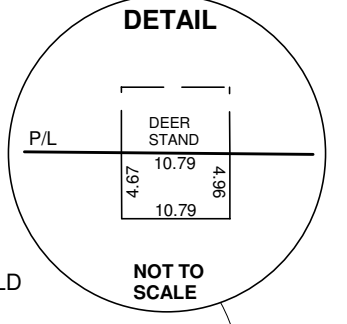
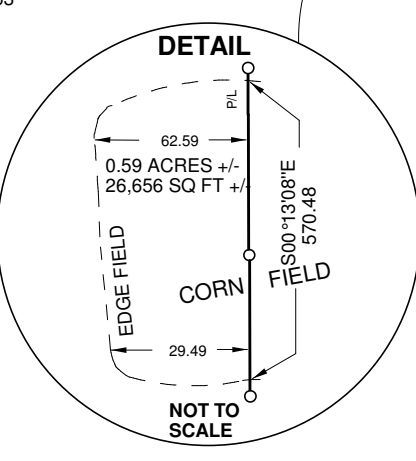
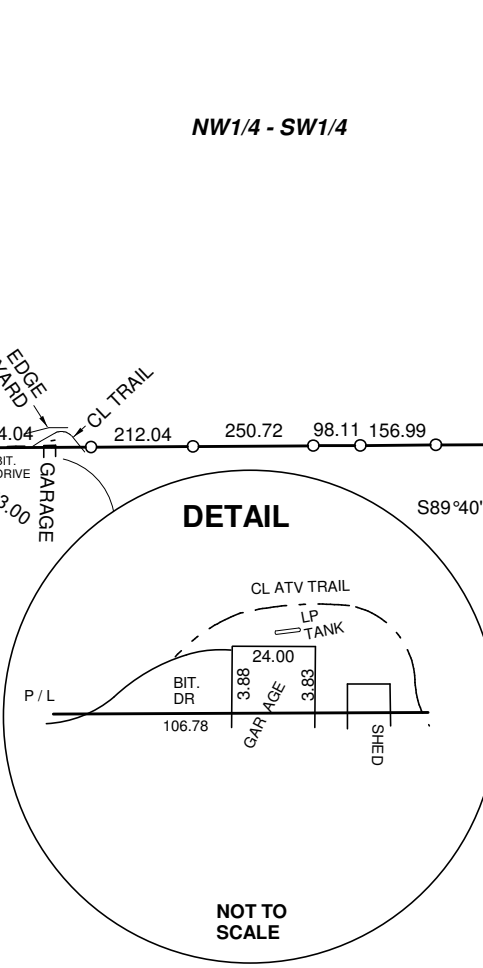
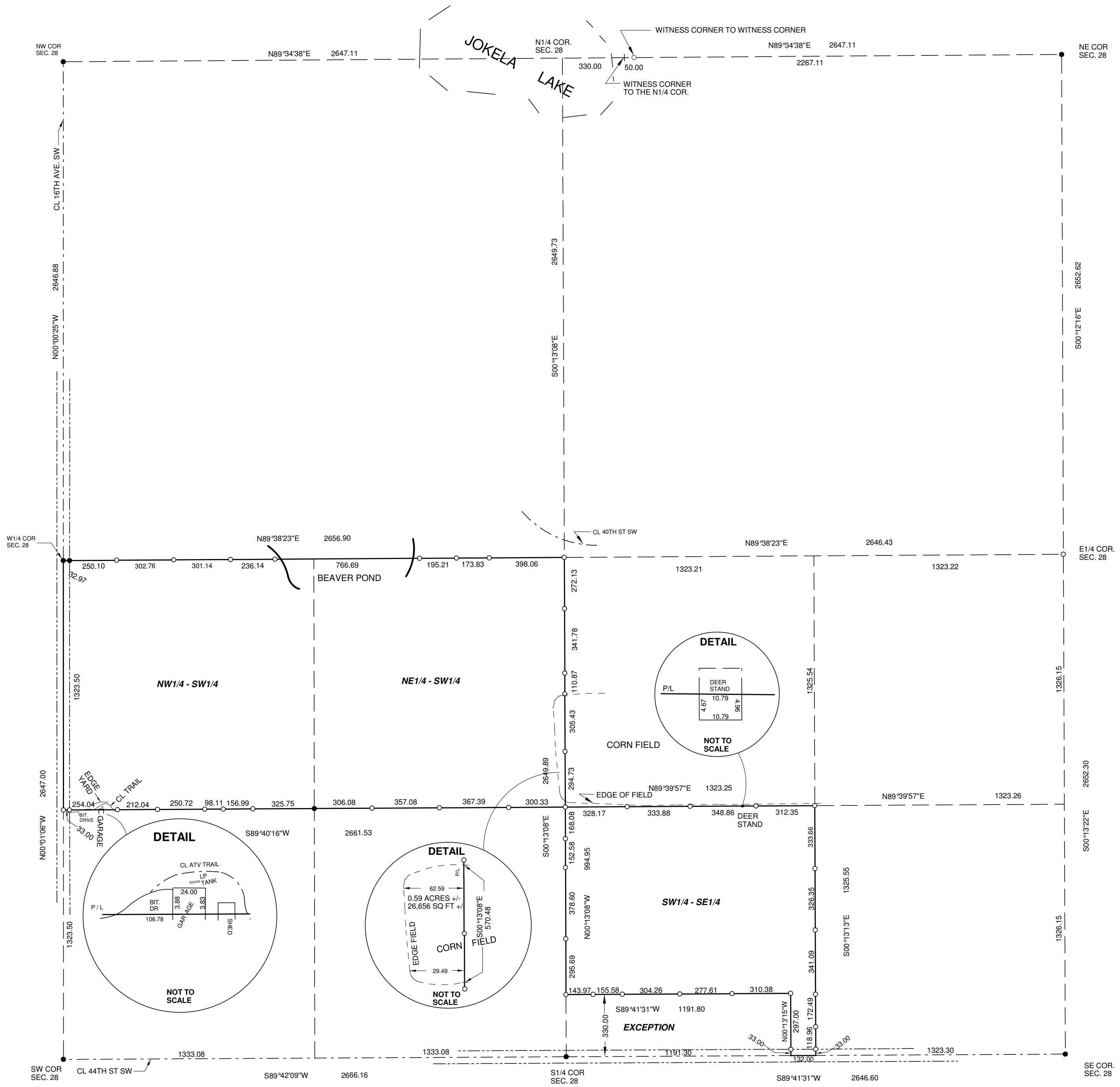


CERTIFICATE OF SURVEY

OF PART OF THE SW1/4 - SE1/4, THE
NW1/4 - SW1/4 AND THE NE1/4 - SW1/4
ALL IN
SEC. 28, TWP. 137, RGE. 29
CASS COUNTY, MINNESOTA



MARVIN KOHOUT
REGISTERED LAND SURVEYOR
PO BOX 384
AITKIN, MN 56431-0384
1-218-927-5452

I HEREBY CERTIFY THAT THIS SURVEY PLAN OR REPORT WAS PREPARED BY ME OR UNDER MY DIRECT SUPERVISION AND THAT I AM A DULY REGISTERED LAND SURVEYOR UNDER THE LAWS OF THE STATE OF MINNESOTA.

DATE _____ REG. NO. 17774