

# CERTIFICATE OF SURVEY

FOR: MINNESOTA POWER  
P.O. NO. 5311013432

PART OF SECTION 26, TOWNSHIP 139 NORTH,  
RANGE 28 WEST, OF THE 5TH PRINCIPAL MERIDIAN,  
CASS COUNTY, MINNESOTA

### EASEMENT LEGAL DESCRIPTION

A 120.00 foot easement for utility purposes over, under and across the Northwest Quarter of the Northeast Quarter, Section 26, Township 139 North, Range 28 West of the Fifth Principal Meridian, Cass County, Minnesota, with a centerline described as follows:

Commencing at the North Quarter corner of said Section 26; thence South 0 degrees 05 minutes 03 seconds West along the west line of said Northwest Quarter of the Northeast Quarter, a distance of 1210.27 feet to the point of beginning of the centerline to be described; thence South 89 degrees 44 minutes 55 seconds East, a distance of 961.76 feet; thence South 89 degrees 46 minutes 17 seconds East, a distance of 341.23 feet to the east line of said Northwest Quarter of the Northeast Quarter and said easement centerline there terminates.

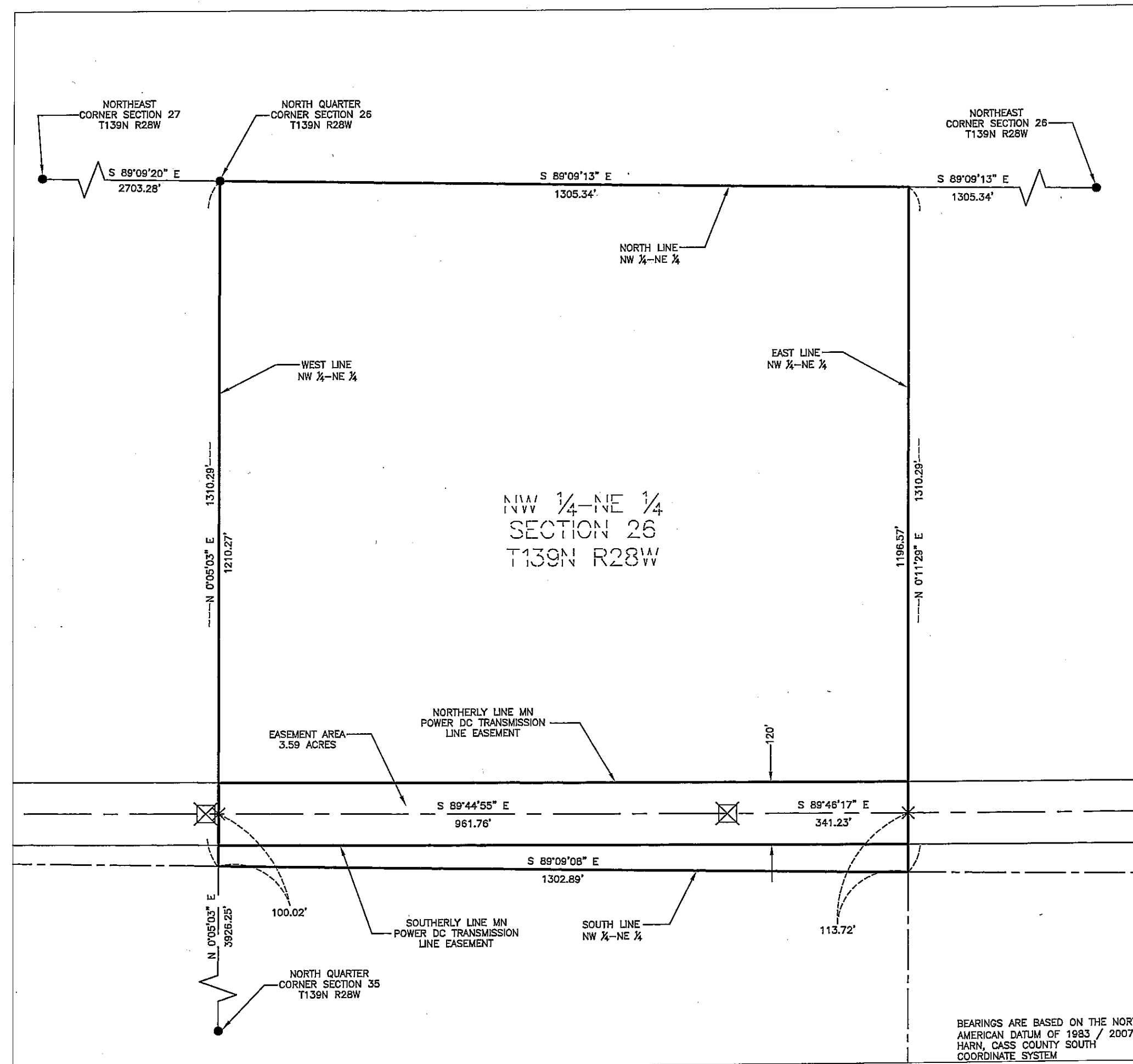
The sidelines of said easement are to be prolonged or shortened to terminate on the west line, and on the east line of said Northwest Quarter of the Northeast Quarter.

### SURVEYOR'S CERTIFICATE

I HEREBY CERTIFY THAT THIS SURVEY, PLAN OR REPORT WAS PREPARED BY ME OR UNDER MY DIRECT SUPERVISION AND THAT I AM A DULY LICENSED LAND SURVEYOR UNDER THE LAWS OF THE STATE OF MINNESOTA.

*Jarrett M. Leas*  
JARRETT M. LEAS, MINNESOTA LICENSE NO. 42619

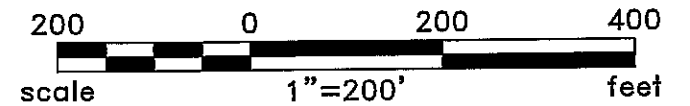
3-21-13  
DATE



BEARINGS ARE BASED ON THE NORTH AMERICAN DATUM OF 1983 / 2007 HARN, CASS COUNTY SOUTH COORDINATE SYSTEM

### LEGEND

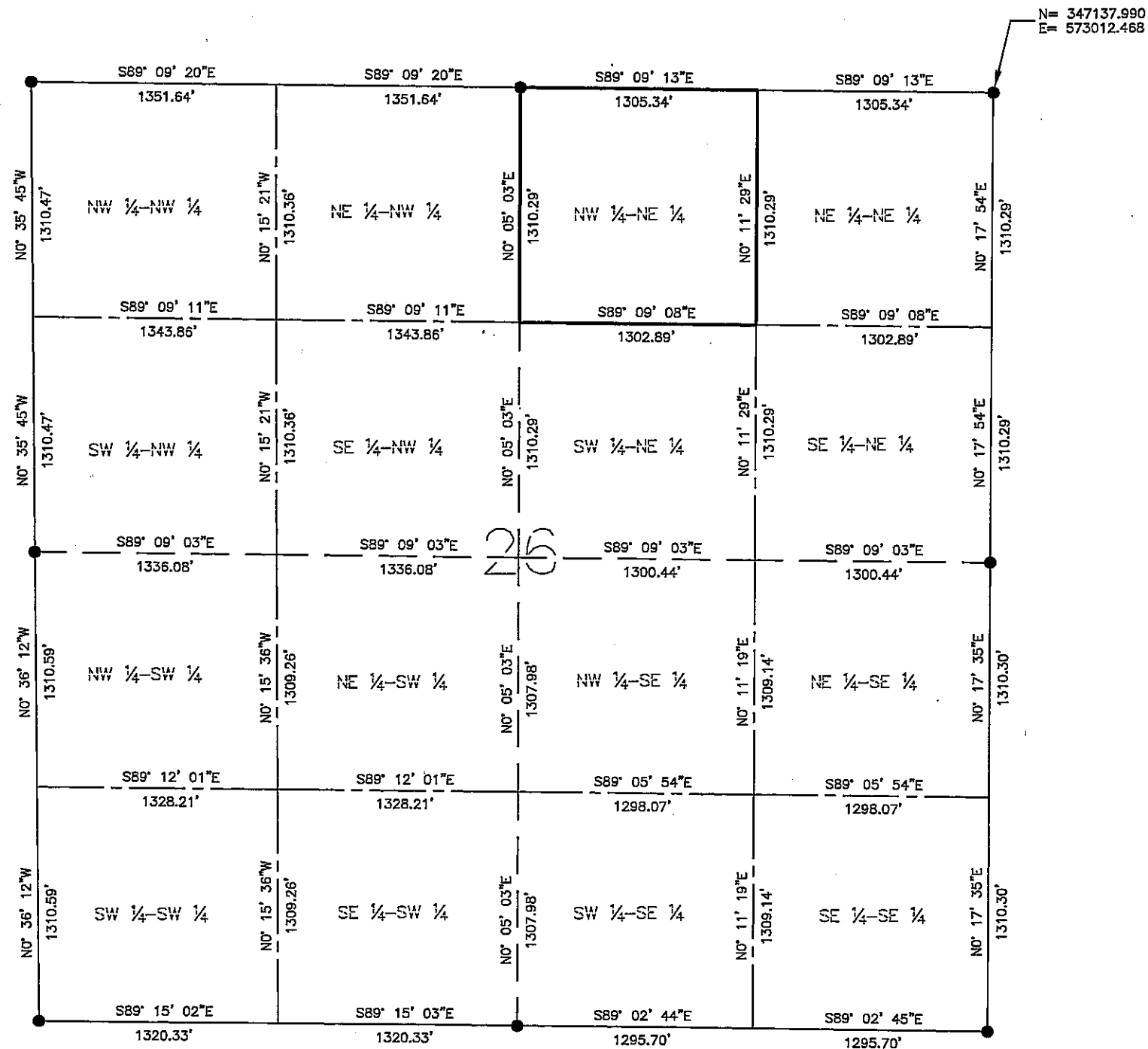
- ☒ = DC Transmission Line Structure
- = Found Monument
- = Set Monument, PLS 42619
- = Minnesota Power Right-Of-Way
- = Transmission Center Line
- = Section Line
- - - = Quarter Section Line
- - - - = Sixteenth Section Line
- = Property Line



Rev'd.		Cass County, MN		SHEET NO.	
		MINNESOTA POWER		1 of 2	
		Duluth, MN			
		NW 1/4 - NE 1/4			
		SECTION 26			
		T139N R28W			
		PROJECT PARCEL NO. 31			
DRWN. BY	CHK'D BY	PROJECT NO.	LAST REVISED		
CAM	JML	51612100	2/19/2013		
					(Layout1)
Plotted-2/20/2013-9:51am					© KLJ 2013

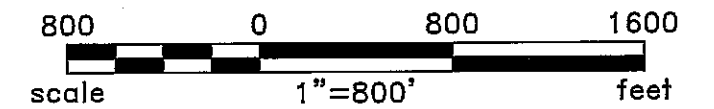
# CERTIFICATE OF SURVEY

SECTION 26, TOWNSHIP 139 NORTH,  
RANGE 28 WEST, OF THE 5TH PRINCIPAL MERIDIAN,  
CASS COUNTY, MINNESOTA



### LEGEND

- = Found Monument
- = Set Monument, PLS 42619
- = Section Line
- - - = Quarter Section Line
- - - - = Sixteenth Section Line



BEARINGS ARE BASED ON THE NORTH  
AMERICAN DATUM OF 1983 / 2007  
HARN, CASS COUNTY SOUTH  
COORDINATE SYSTEM

Rev'd.		Cass County, MN		SHEET NO.	
		MINNESOTA POWER		2 of 2	
		Duluth, MN			
		SECTION 26			
		T139N R28W			
		PROJECT PARCEL NO. 31			
DRWN. BY	CHK'D BY	PROJECT NO.	LAST REVISED		
CAM	JML	51612100	2/13/2013		
(Layout1)					
Plotted-2/20/2013-9:52am					
© KLJ 2013					