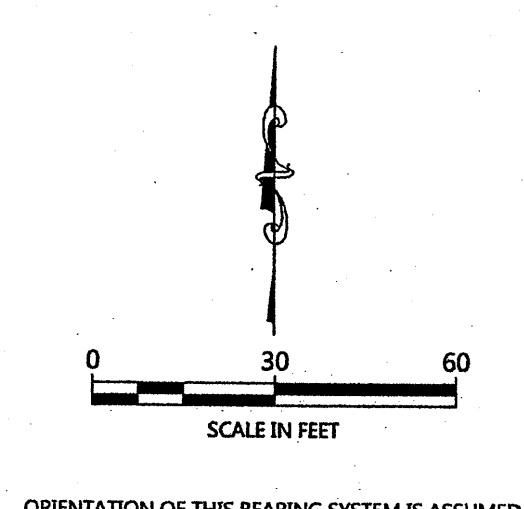
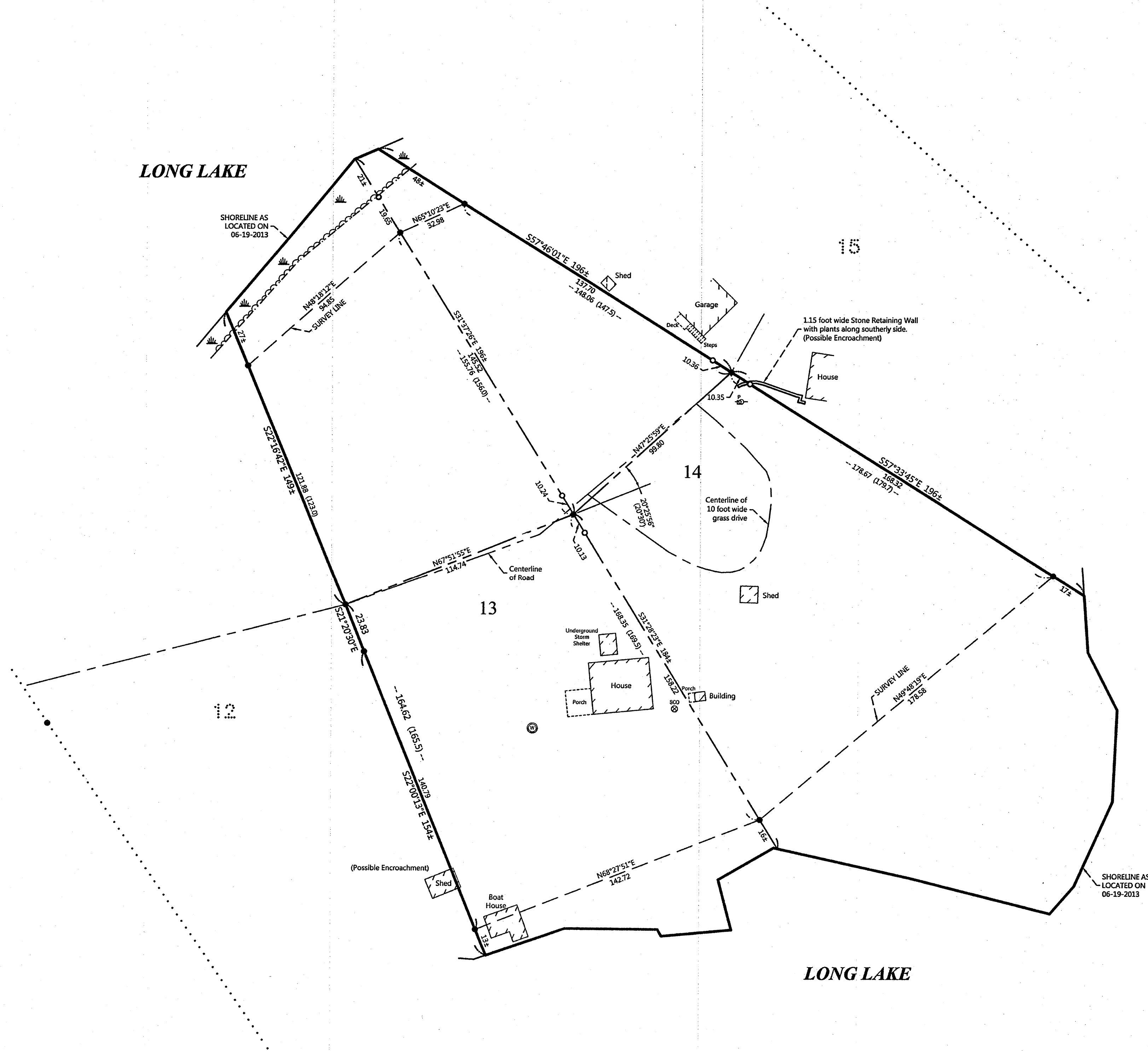
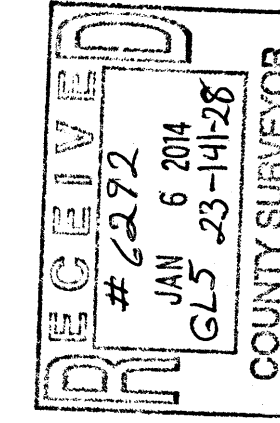


# CERTIFICATE OF SURVEY

LOTS 13 & 14, SPARKLING WATERS,  
SECTION 23, TOWNSHIP 141 NORTH, RANGE 28 WEST,  
CASS COUNTY, MINNESOTA



- LEGEND**
- DENOTES IRON MONUMENT SET & MARKED BY LICENSE NO. 21367
  - DENOTES MONUMENT FOUND
  - × DENOTES CALCULATED POSITION
  - (123.45) DENOTES FLAT AND/OR DEEDED MEASURE
  - ⊙ DENOTES EXISTING WELL
  - ⊖ DENOTES EXISTING UTILITY POLE
  - ⊕ DENOTES EXISTING PHONE FEDESTAL
  - ⊞ DENOTES WETLAND(S) (has not been delineated)
  - ⊞ DENOTES EDGE OF TREELINE
  - ⊞ DENOTES EXISTING END OF SEPTIC PIPE

NO.	DATE	DESCRIPTION	BY

I HEREBY CERTIFY THAT THIS SURVEY, PLAT OR REPORT WAS PREPARED BY ME OR UNDER MY DIRECT SUPERVISION AND THAT I AM A DULY LICENSED LAND SURVEYOR UNDER THE LAWS OF THE STATE OF MINNESOTA.

TERRY L. REIBMAN  
2/13/14  
LIC. NO. 21367



**CERTIFICATE OF SURVEY**  
Richard Silverness  
8316 Northwood Parkway  
New Hope, MN 55427

JOB NO. 12-146  
DATE: 07-25-2013  
SHEET NO. 1 OF 1