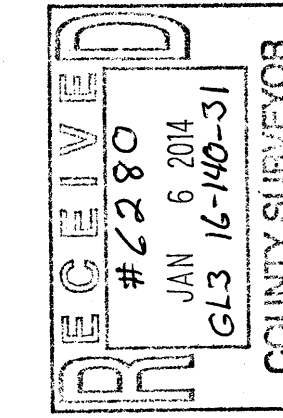


# CERTIFICATE OF SURVEY

LOT 5, LONG PINE,  
SECTION 16, TOWNSHIP 140 NORTH, RANGE 31 WEST,  
CASS COUNTY, MINNESOTA



NO.	DATE	DESCRIPTION	BY

I HEREBY CERTIFY THAT THIS SURVEY PLAN OR REPORT WAS PREPARED BY ME OR UNDER MY DIRECT SUPERVISION AND IN ACCORDANCE WITH THE LAWS OF THE STATE OF MINNESOTA.

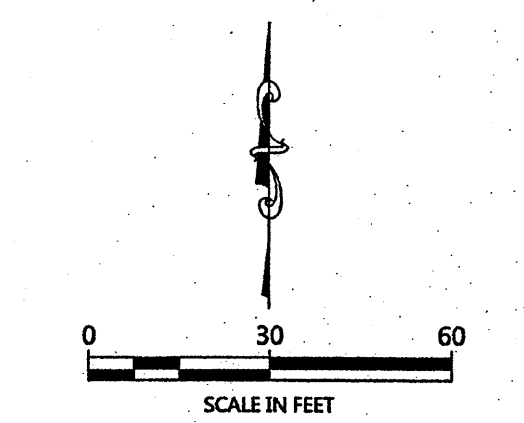
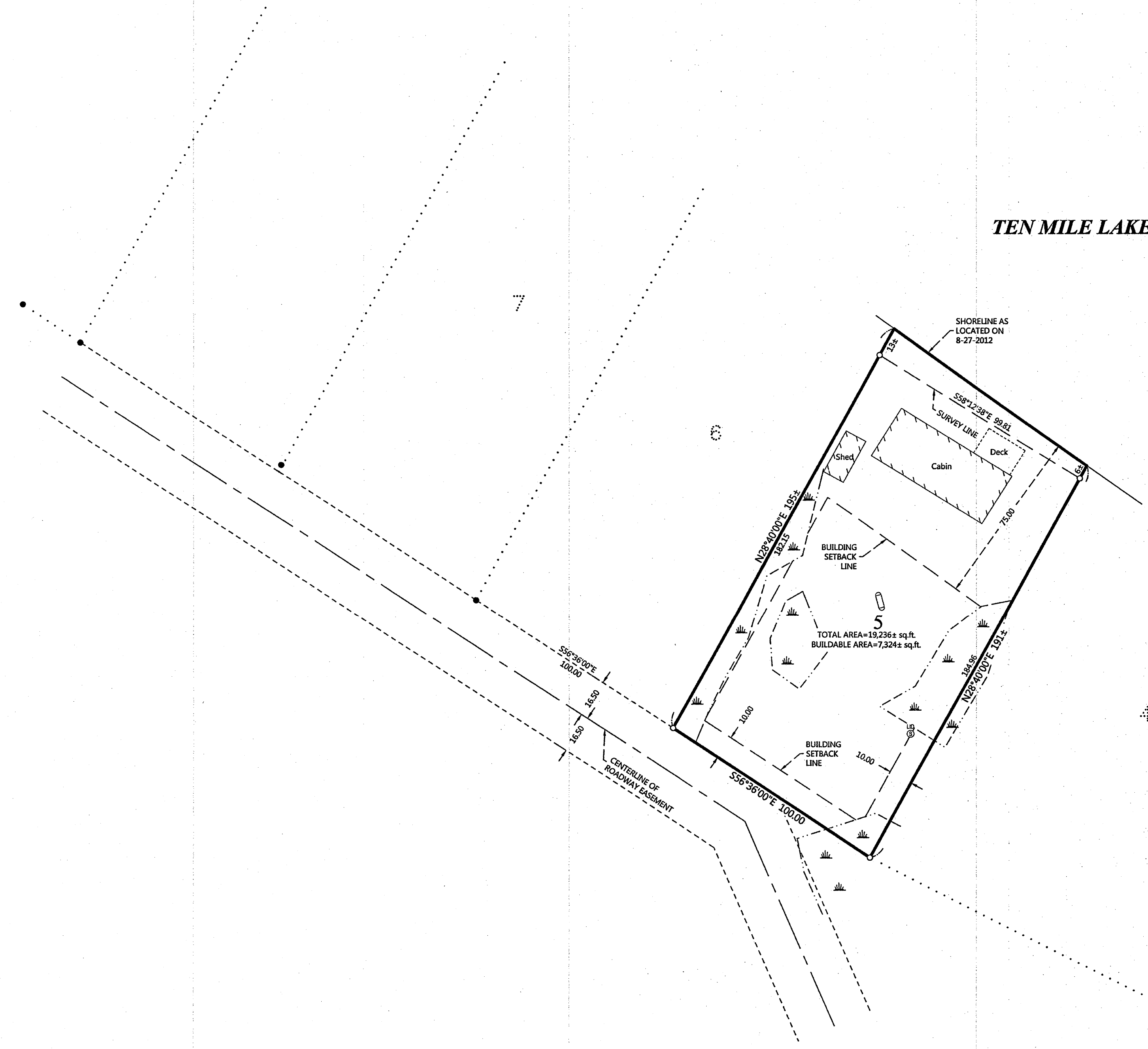
*Terry L. Freeman*  
TERRY L. FREEMAN  
LIC. NO. 21367



**CERTIFICATE OF SURVEY**  
Don Mason  
80 Western Ave. N. #207  
St. Paul, MN 55102

JOB NO. 12-114  
DATE: 9-07-2012  
SHEET NO.  
1 OF 1

TEN MILE LAKE



ORIENTATION OF THIS BEARING SYSTEM IS BASED ON THE RECORDED PLAT OF LONG PINE.

- LEGEND**
- DENOTES IRON MONUMENT SET & MARKED BY LICENSE NO. 21367
  - DENOTES MONUMENT FOUND
  - ▭ DENOTES DELINEATED WETLAND(S) by Ben Meiser, November 2011
  - ▭ DENOTES EXISTING LP TANK
  - ⊙ DENOTES EXISTING SEPTIC TANK LID