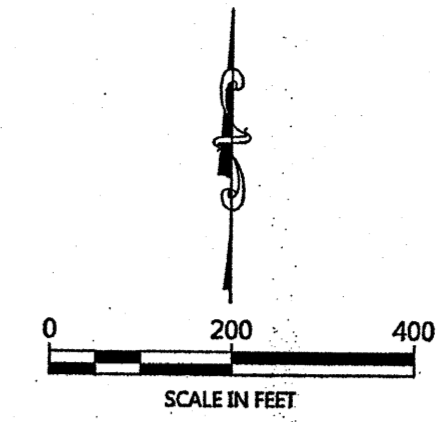
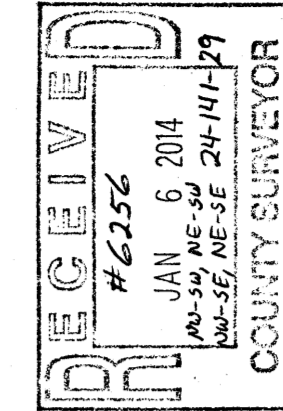


CERTIFICATE OF SURVEY

OLD GRADE ROAD
 SECTIONS 15, 16, 22, 23, & 24, TOWNSHIP 141 NORTH, RANGE 29 WEST,
 CASS COUNTY, MINNESOTA

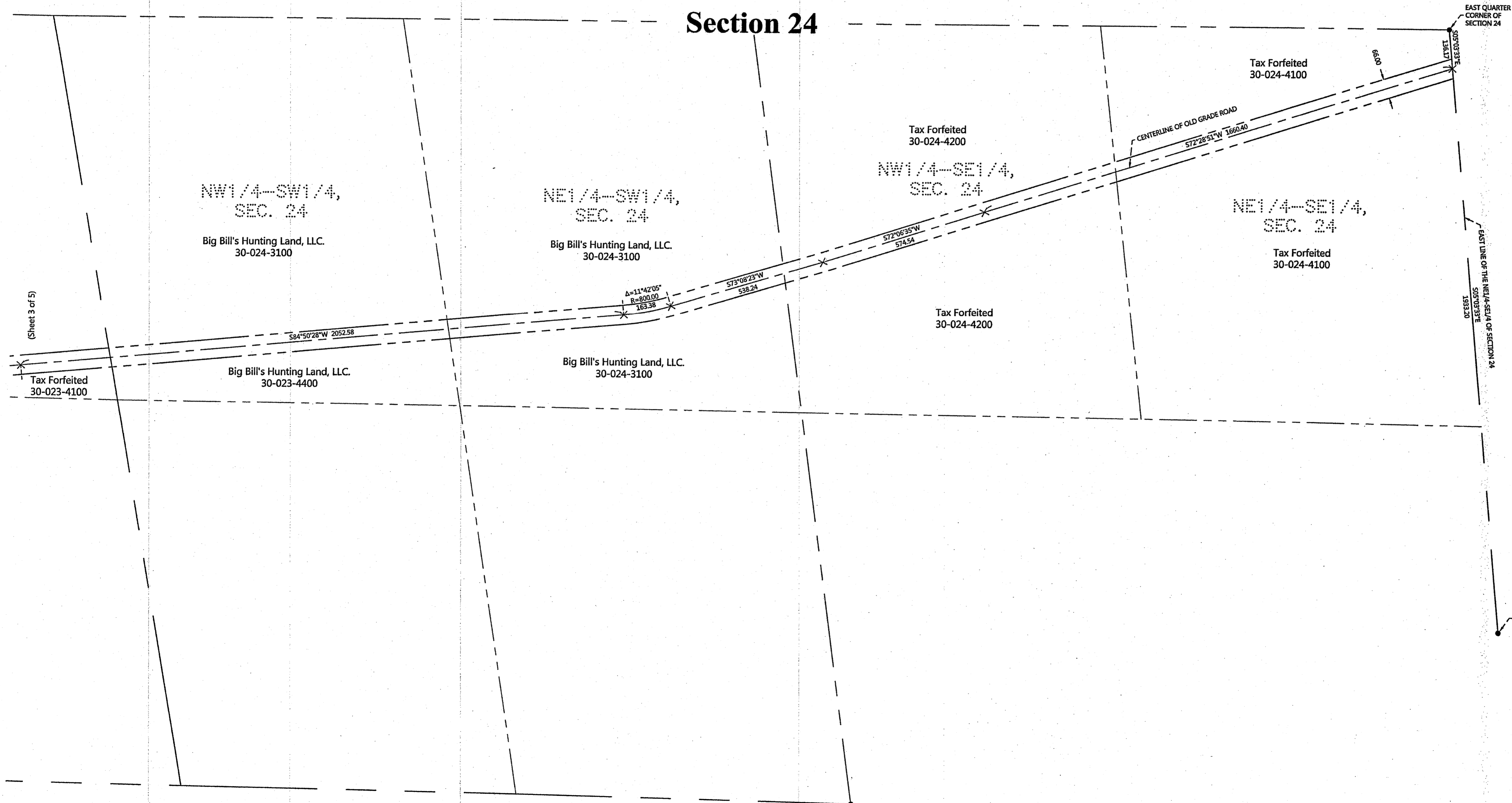


ORIENTATION OF THIS BEARING SYSTEM IS BASED ON THE EAST LINE OF THE NORTHEAST QUARTER OF THE SOUTHEAST QUARTER TO HAVE AN ASSIGNED BEARING OF S 05°03'33" E.



LEGEND

- DENOTES MONUMENT FOUND
- × DENOTES CALCULATED POSITION



REVISIONS:	NO.	DATE	DESCRIPTION	BY

I HEREBY CERTIFY THAT THIS SURVEY PLAN OR REPORT WAS PREPARED BY ME OR UNDER MY SUPERVISION AND THAT I AM A duly LICENSED LAND SURVEYOR UNDER THE LAWS OF THE STATE OF MINNESOTA.

Terry L. Freeman
 TERRY L. FREEMAN
 LIC. NO. 21367



CERTIFICATE OF SURVEY
 Pine Lake Township Attn: Kathy Miller
 1680 Pine Lake Road
 Walker, MN 56484

JOB NO. 32-017
 DATE 3-13-2012
 SHEET NO. 4 OF 5