

TOPOGRAPHIC SURVEY

LOT 5, BLOCK 1 & LOT 6, BLOCK 2, REHM'S ESTATES,
SECTION 30, TOWNSHIP 142 NORTH, RANGE 30 WEST.
CASS COUNTY, MINNESOTA

Landecker & Associates, Inc.
Engineering, Surveying, Planning
Walter, MN 56884
Phone: 218-541-1206
Fax: 218-541-2172

RECEIVED
BLK 1, 2 LOTS 1, 6
30-142-30
APR - 4 2006
3069
CASS COUNTY SURVEYOR

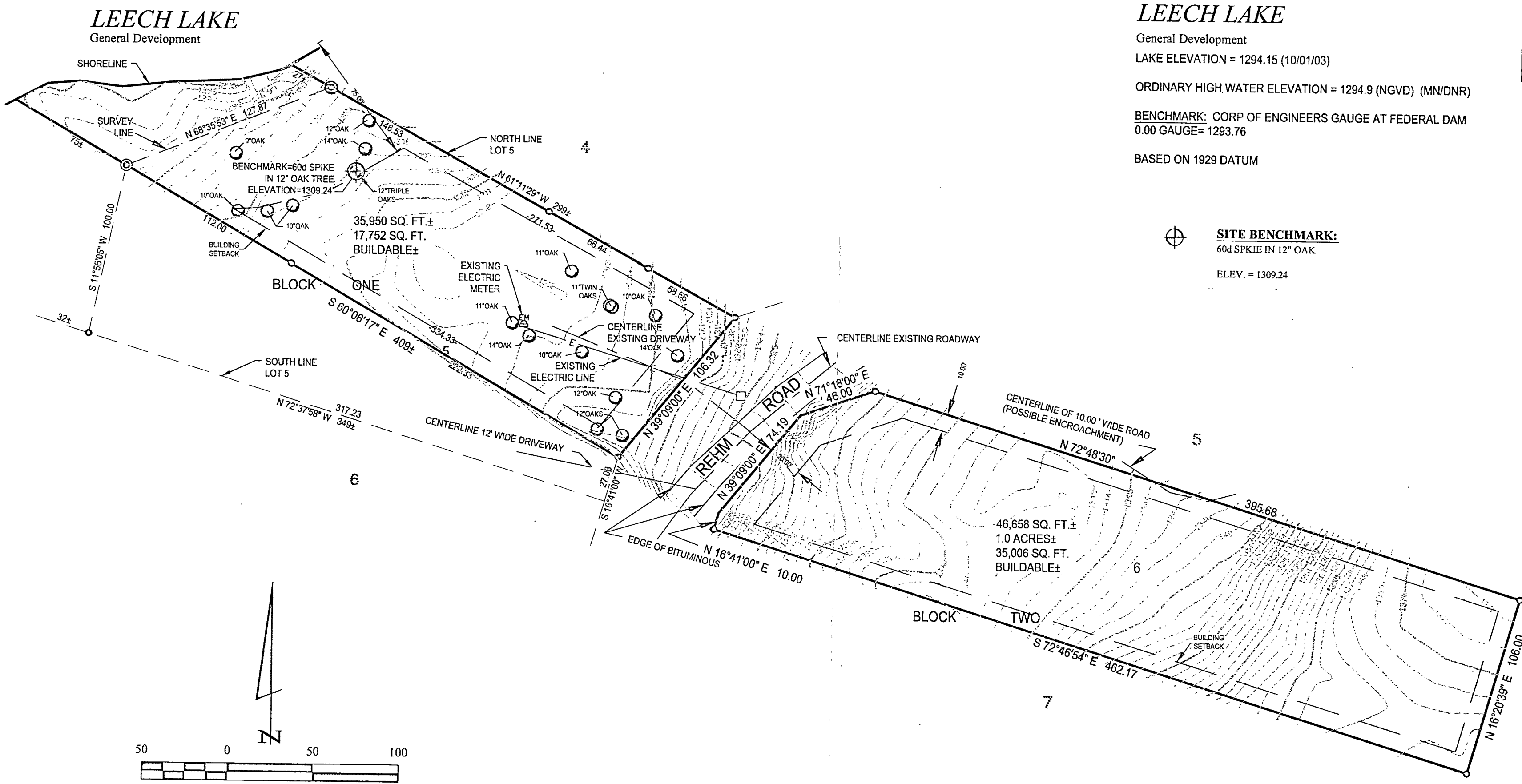
USE ONLY SURVEY DATA FROM THIS SURVEY. ANY INFORMATION OR REPORT PREPARED BY ME OR UNDER MY CLOSE PERSONAL SUPERVISION AND FOR WHICH I AM DULY LICENSED PROFESSIONAL ENGINEER OR LAND SURVEYOR UNDER THE LAWS OF THE STATE OF MINNESOTA
Ferry L. Freeman
FERRY L. FREEMAN
DATE: 3/30/06 LIC. NO. 21367

REVISIONS	DATE	DESCRIPTION
BY TFL		Square Feet, Buildable Square Feet

COMPUTER:	042079.dwg
FIELD BOOK:	BOOK 212 PG. 57
FILE NO.:	D42079
DATE:	3/30/06
SCALE:	1"=50'
HORIZ.:	
VERT.:	NONE

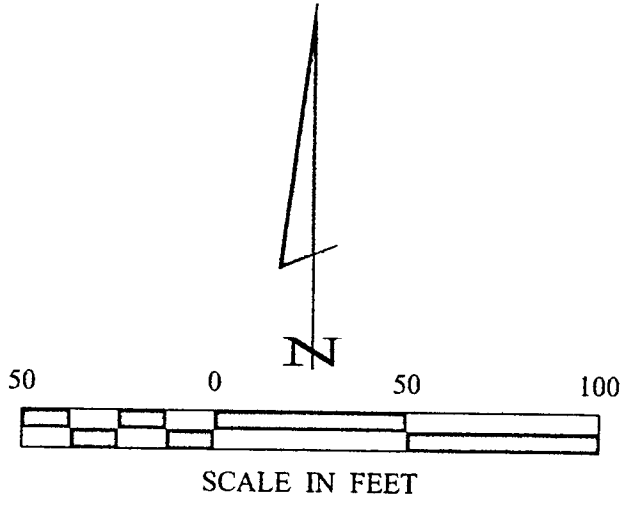
PROJ. MGR.	DRG.	CHECKED BY:	TFL	DRAWN BY:	TPC
------------	------	-------------	-----	-----------	-----

TOPOGRAPHIC SURVEY
GREG McDONALD
121 WASHINGTON AVE S. #1606
MINNEAPOLIS, MN 55401



LEECH LAKE
General Development
LAKE ELEVATION = 1294.15 (10/01/03)
ORDINARY HIGH WATER ELEVATION = 1294.9 (NGVD) (MN/DNR)
BENCHMARK: CORP OF ENGINEERS GAUGE AT FEDERAL DAM
0.00 GAUGE= 1293.76
BASED ON 1929 DATUM

SITE BENCHMARK:
60d SPKIE IN 12" OAK
ELEV. = 1309.24



ORIENTATION OF THIS BEARING SYSTEM IS
BASED ON THE NORTH LINE OF LOT 5 TO HAVE
AN ASSUMED BEARING OF N 61° 11' 29" W.

- DENOTES MONUMENT FOUND
- DENOTES IRON MONUMENT SET MARKED BY LICENSE No. 21367