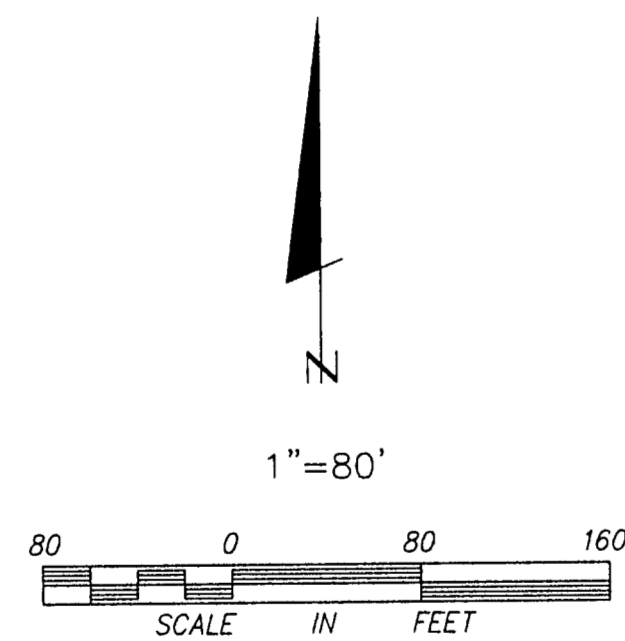
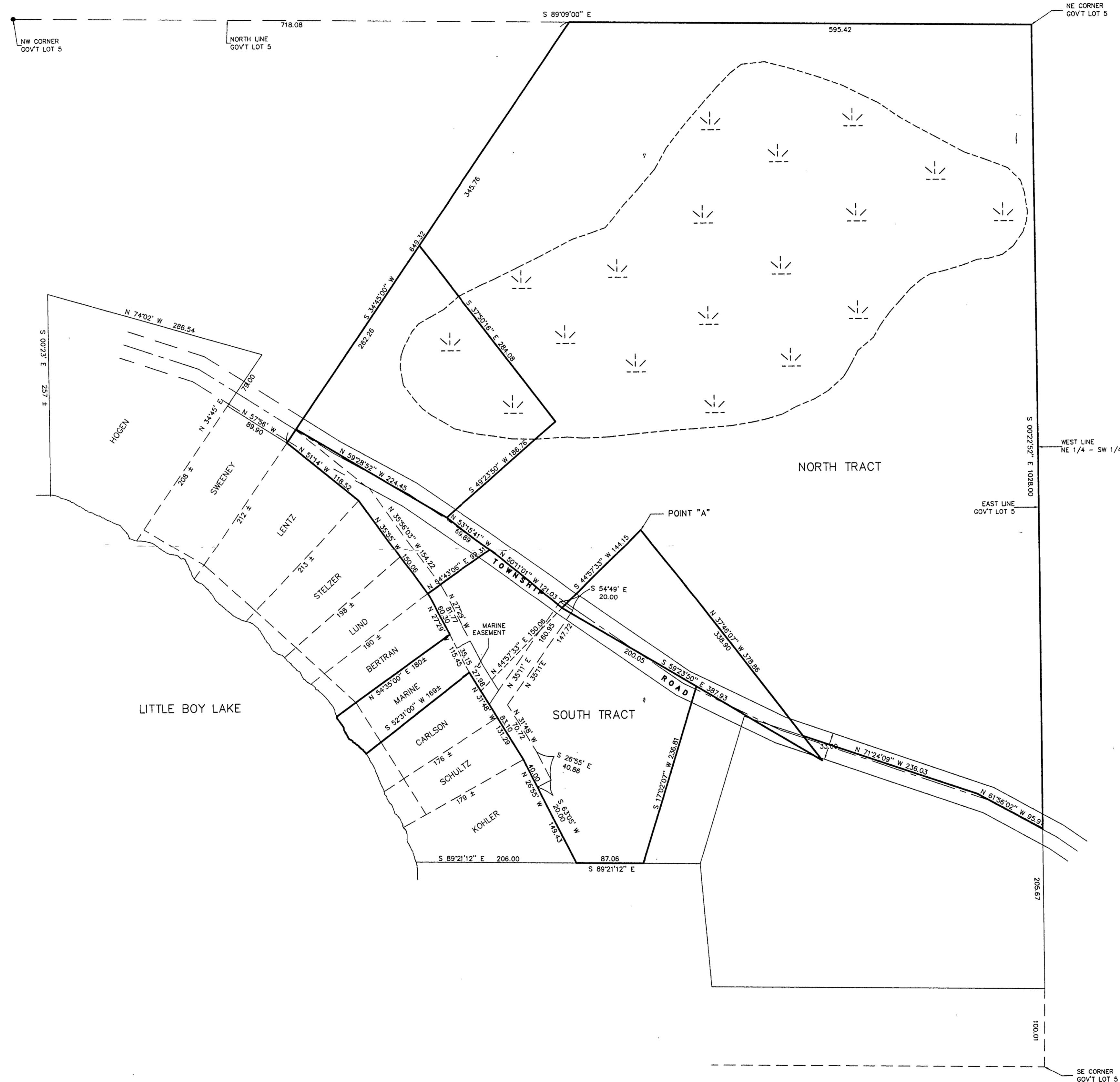


CERTIFICATE OF SURVEY

PART OF GOVERNMENT LOT 5 SECTION 12,
TOWNSHIP 140 NORTH, RANGE 28 WEST,
CASS COUNTY, MINNESOTA

FOR: DENNIS MARINE
4145 SIOUX CAMP ROAD NE
LONGVILLE, MN. 56655



- DENOTES FOUND IRON MONUMENT
- DENOTES IRON MONUMENT SET MARKED BY REGISTRATION NO. 21367
- ⊥ DENOTES WETLAND SCALED FROM NWI MAP

ORIENTATION OF THIS BEARING SYSTEM IS BASED ON THE NORTH LINE GOVERNMENT LOT 5 TO BEAR S 89° 09' 00" E

I HEREBY CERTIFY THAT THIS SURVEY PLAN, SPECIFICATION OR REPORT WAS PREPARED BY ME OR UNDER MY DIRECT SUPERVISION AND THAT I AM A DULY LICENSED ENGINEER OR LAND SURVEYOR UNDER THE LAWS OF THE STATE OF MINNESOTA.

Wayne J. Smith
DATE 3/16/00 LIC. NO. 21367

LANDECKER & ASSOCIATES INC.		PROC. MGR.	DATE	REVISIONS	COMPUTER
WALKER, MN. 56484		SCALE	3/16/00	1/16/00	96205
PHONE 218-547-1296		CHECKED BY	TLF	NETLAND/BDRY	BOOK PG.
PLANNING ENGINEERING SURVEYING		TLF	HORZ	1"=80'	FILE NO. W08359
DRWN BY	DRG	VERT.	NONE		SHEET 1 OF 1