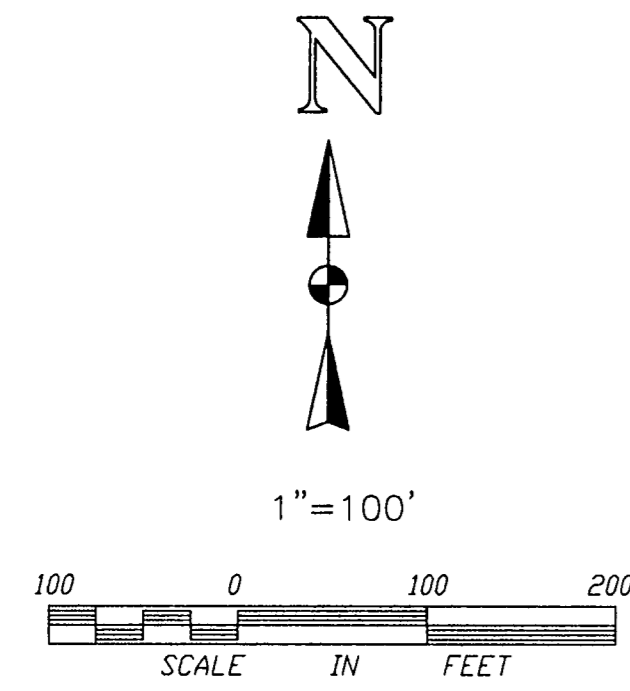


# CERTIFICATE OF SURVEY

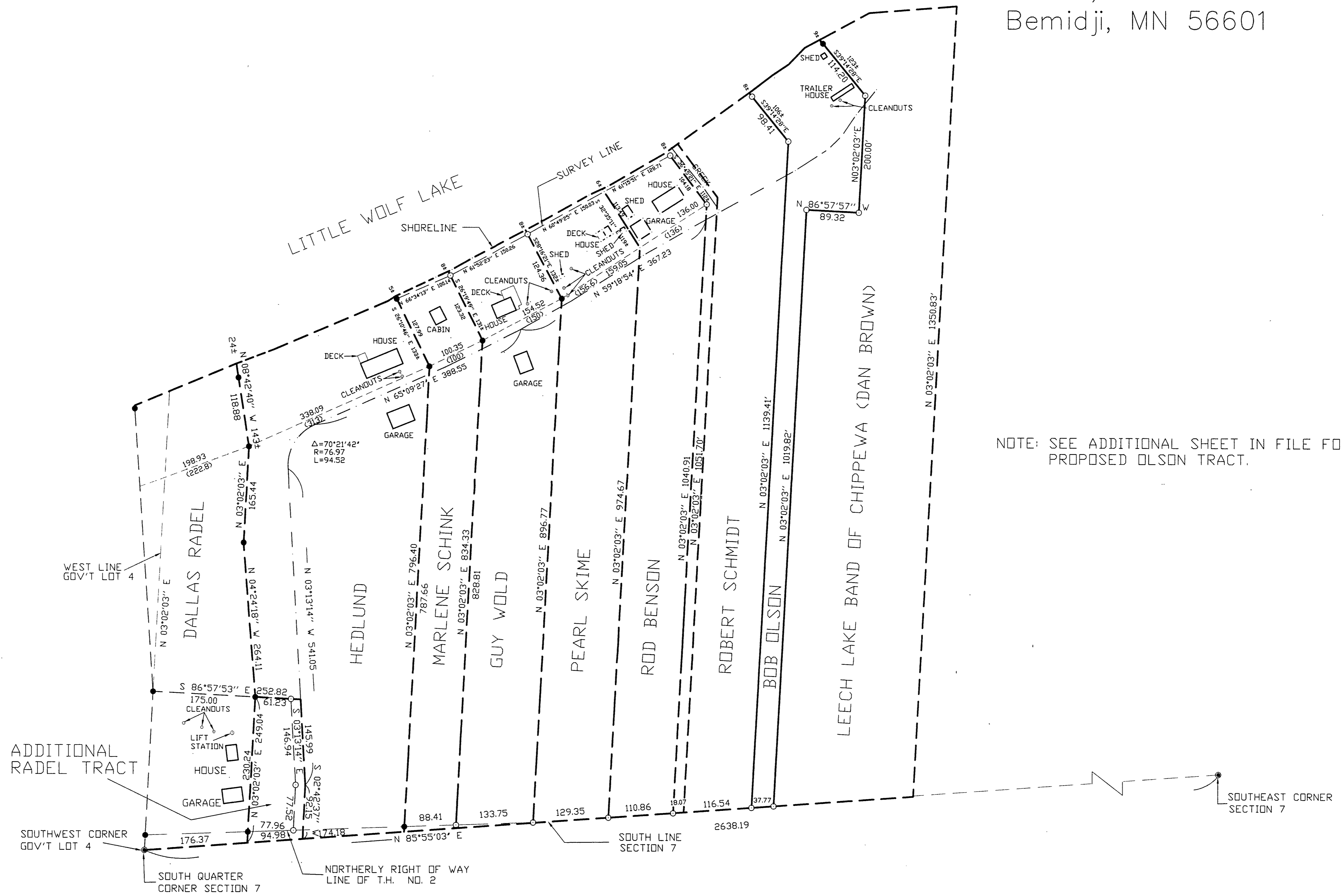
PART OF GOVERNMENT LOT 4, SECTION 7,  
TOWNSHIP 145 NORTH, RANGE 31 WEST, CASS COUNTY, MINNESOTA

FOR: Mr. and Mrs. Robert Olson  
Rt. 10, Box 155  
Bemidji, MN 56601



- DENOTES FOUND IRON MONUMENT
- DENOTES IRON MONUMENT SET MARKED BY REGISTRATION NO. 21367
- DENOTES MN/DOT MONUMENT FOUND
- () DENOTES RECORD VALUE

ORIENTATION OF THIS BEARING SYSTEM IS BASED ON THE WEST LINE OF GOV'T LOT 4 AND ASSUMED TO BEAR N 03°02'03" E.



I HEREBY CERTIFY THAT THIS PLAN, SPECIFICATION OR REPORT WAS PREPARED BY ME OR UNDER MY DIRECT SUPERVISION AND THAT I AM A DULY REGISTERED PROFESSIONAL ENGINEER, UNDER THE LAWS OF THE STATE OF MINNESOTA.  
*Guy Olson*  
DATE 8/7/98 LIC. NO. 21367

<b>LANDECKER &amp; ASSOCIATES INC.</b>		PROG. MGR.	DATE	REVISIONS	COMPUTER
WALKER, MN 56484		TLF	8/7/98		98264
PHONE 218-547-1296		CHECKED BY	SCALE		BOOK 141 PG. 60
PLANNING ENGINEERING SURVEYING		TLF	1"=100'		FILE NO. W98264
		DRAWN BY	HORIZ.		SHEET 1 OF 1
		DRG	VERT. NONE		