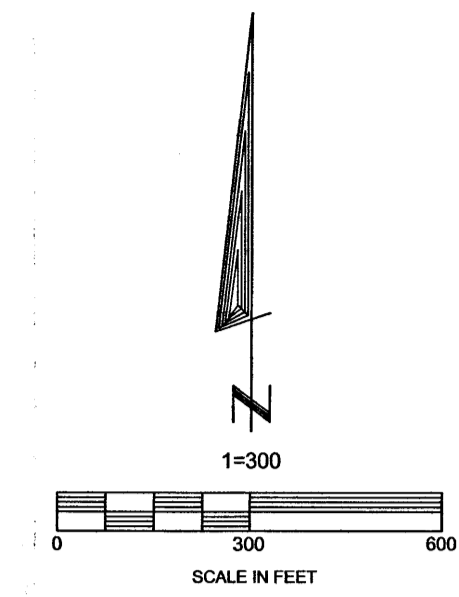
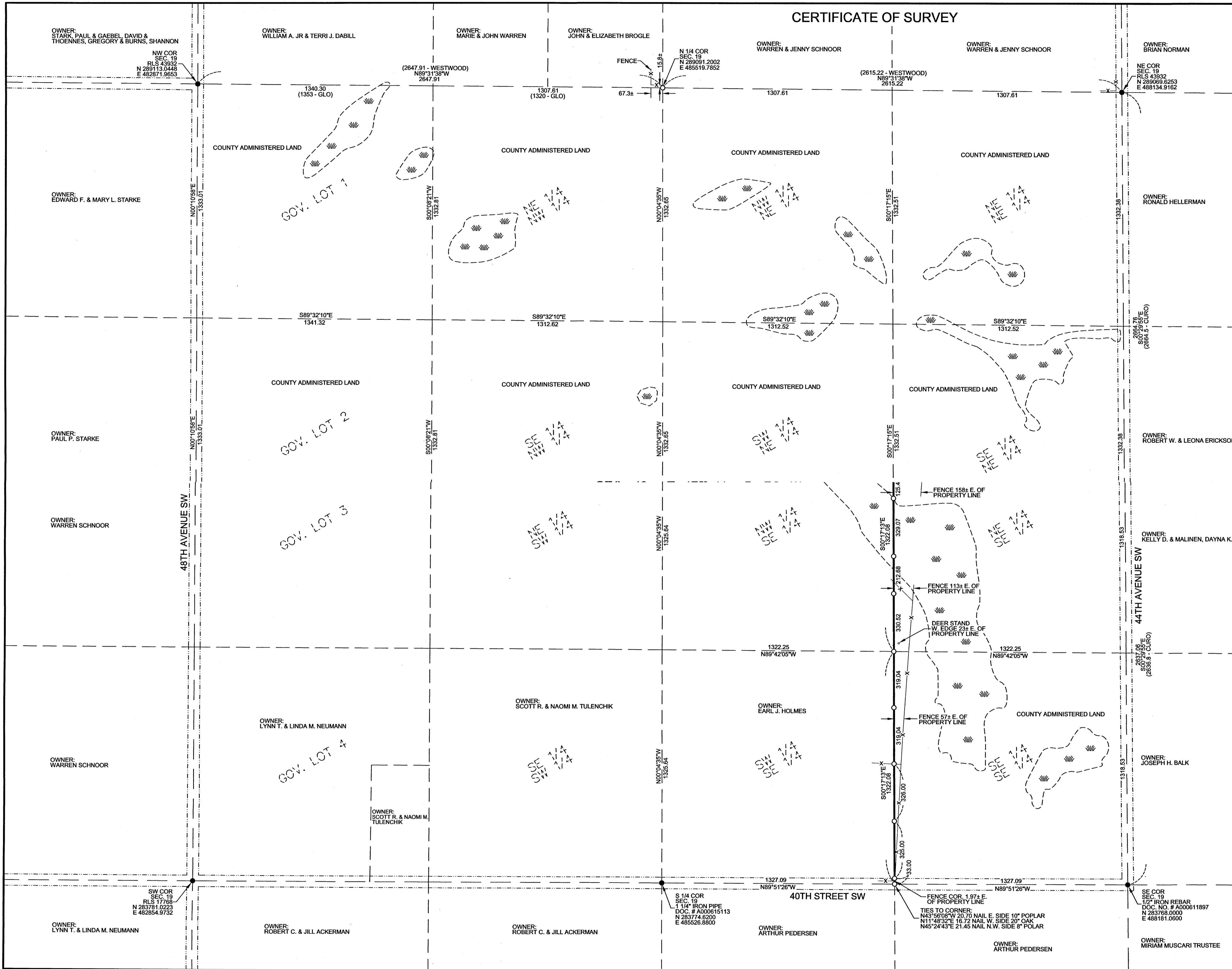


CERTIFICATE OF SURVEY



- INPLACE IRON MONUMENT
  - 1/2" IRON REBAR WITH PLASTIC CAP STAMPED "RLS 42620" & "RLS 45335"
  - ( ) RECORD DATA
  - x- FENCE
  - WETLAND
- Coordinate Datum : Cass County Coordinate System (South Zone)  
NAD83/1996 Adjustment

SEC. 19 T 137 N R 30 W

I hereby certify that this survey, plan or report was prepared by me or under my direct supervision and that I am a duly Registered Land Surveyor under the laws of the State of Minnesota.

DATE: 11/15/2019 • DRAWN BY: JSM • CHECKED: BMN • JOB NO. 10115

REQUESTED BY: **CASS COUNTY**

**Nyberg SURVEYING** 509 22ND AVE. EAST, SUITE 101  
ALEXANDRIA, MINNESOTA 56308  
PH. (320) 762-4111 \* FAX (320) 762-4112  
www.nybergsurveying.com

Brad M. Nyberg  
Date November 15th, 2019 License No. 42620