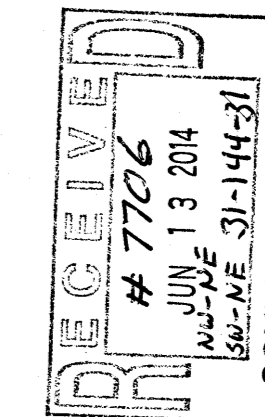


CERTIFICATE OF SURVEY

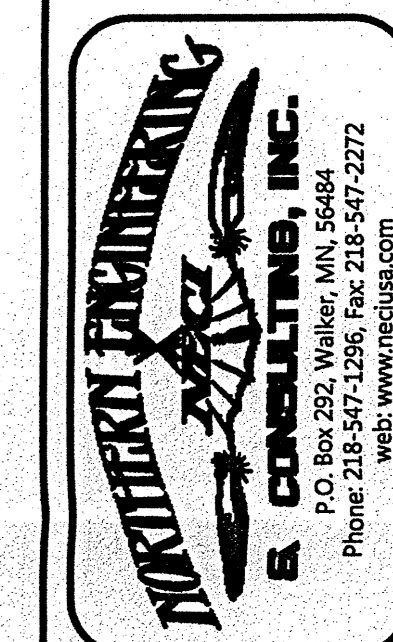
THE WEST HALF OF THE NORTHEAST QUARTER,
SECTION 31, TOWNSHIP 144 NORTH, RANGE 31 WEST,
CASS COUNTY, MINNESOTA



NO.	DATE	DESCRIPTION	BY
1	04-02-2014	Added buildable areas	WAG
2	04-04-2014	Added NW wetland info	WAG

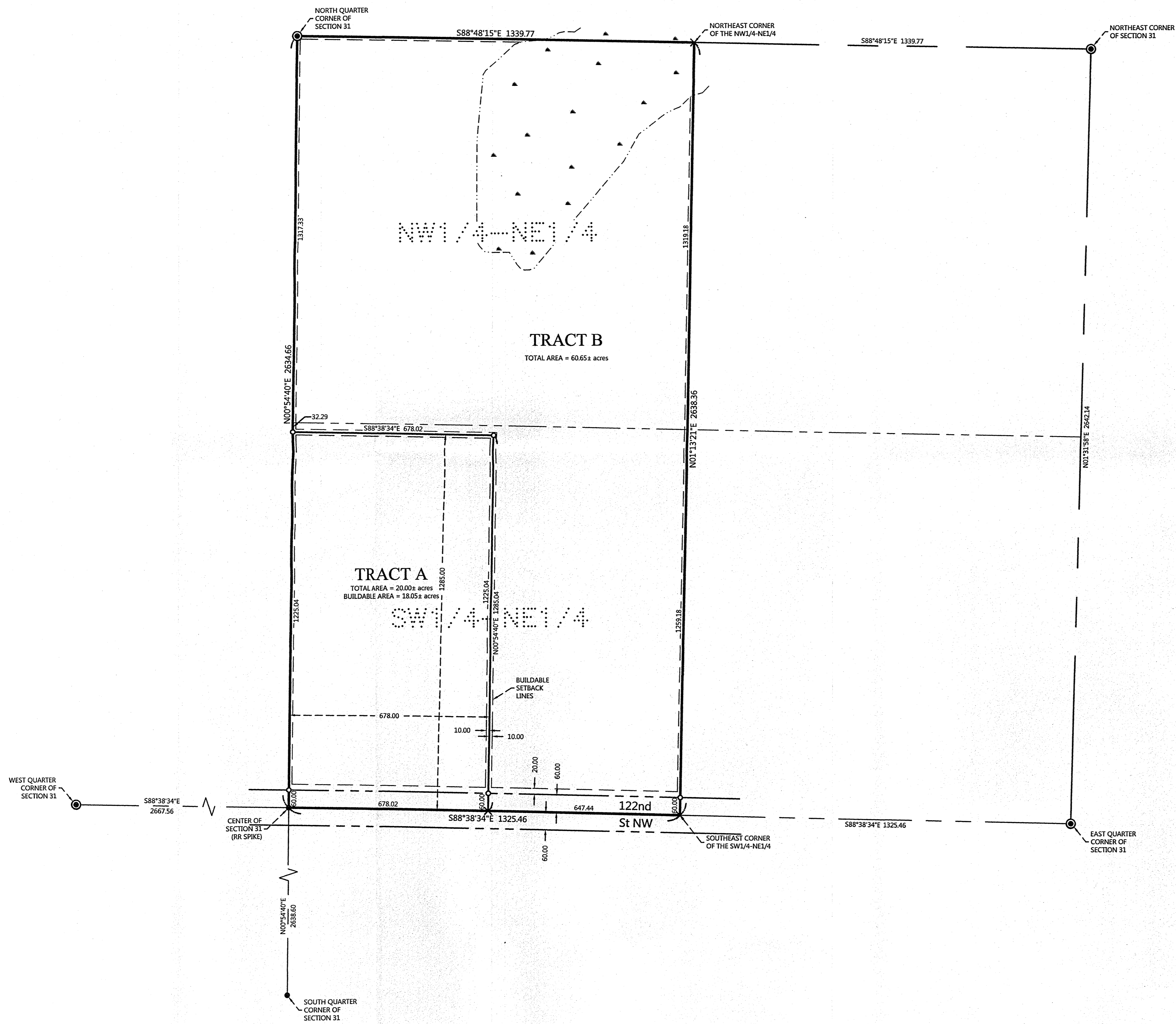
I HEREBY CERTIFY THAT THIS SURVEY, PLAN OR REPORT WAS PREPARED BY ME OR UNDER MY DIRECT SUPERVISION AND THAT I AM A FULLY LICENSED LAND SURVEYOR UNDER THE LAWS OF THE STATE OF MINNESOTA.

Terry L. Freeman
TERRY L. FREEMAN
LIC. NO. 21367



CERTIFICATE OF SURVEY
Paul Meyer
6974 122nd Street NW
Laporte, MN 56461

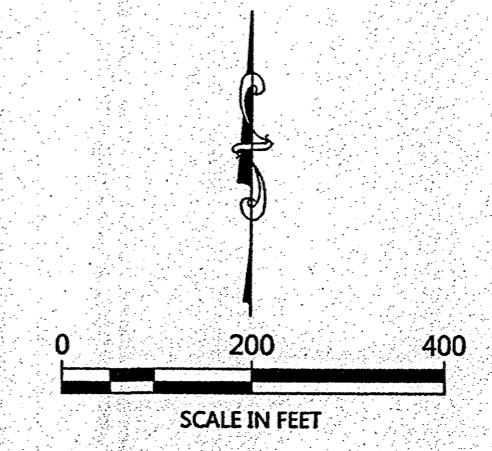
JOB NO. 14-022
DATE: 03-14-2014
SHEET NO.
1 OF 1



PROPOSED DESCRIPTIONS:

TRACT A
The West 678.00 feet of the South 1285.00 feet of the Southwest Quarter of the Northeast Quarter, Section 31, Township 144 North, Range 31 West, Cass County, Minnesota.
SUBJECT to easements, restrictions, and reservations of record.
SUBJECT to 122nd St NW right of way.

TRACT B
The Northwest Quarter of the Northeast Quarter, Section 31, Township 144 North, Range 31 West, Cass County, Minnesota.
AND
The Southwest Quarter of the Northeast Quarter of said Section 31, EXCEPT the West 678.00 feet of the South 1285.00 feet thereof.
SUBJECT to easements, restrictions, and reservations of record.
SUBJECT to 122nd St NW right of way.



ORIENTATION OF THIS BEARING SYSTEM IS BASED ON THE NORTH-SOUTH QUARTER LINE OF SECTION 31 TO HAVE AN ASSIGNED BEARING OF N 00°54'40" E.

LEGEND

- DENOTES IRON MONUMENT SET & MARKED BY LICENSE NO. 21367
- DENOTES MONUMENT FOUND
- ⊙ DENOTES G.L.O. MONUMENT FOUND
- × DENOTES CALCULATED POSITION
- ▭ DENOTES APPROXIMATE LOCATION OF WETLAND(S) TAKEN FROM THE CASS COUNTY WEBSITE. (NOT FIELD VERIFIED)