

CERTIFICATE OF SURVEY

FOR: MINNESOTA POWER
 P.O. NO. 5311013432
 PART OF SECTION 20, TOWNSHIP 139 NORTH,
 RANGE 27 WEST, OF THE 5TH PRINCIPAL MERIDIAN,
 CASS COUNTY, MINNESOTA

EASEMENT LEGAL DESCRIPTION

A 120.00 foot easement for utility purposes over, under and across the Northeast Quarter of the Northwest Quarter, Section 20, Township 139 North, Range 27 West of the Fifth Principal Meridian, Cass County, Minnesota, with a centerline described as follows:

Commencing at the North Quarter corner of said Section 20; thence South 0 degrees 31 minutes 50 seconds West along the east line of said Northeast Quarter of the Northwest Quarter, a distance of 737.15 feet to the point of beginning of the centerline to be described; thence South 83 degrees 34 minutes 16 seconds West, a distance of 476.25 feet; thence South 83 degrees 37 minutes 54 seconds West, a distance of 119.78 feet to the west line of said Northeast Quarter of the Northwest Quarter and said easement centerline there terminates.

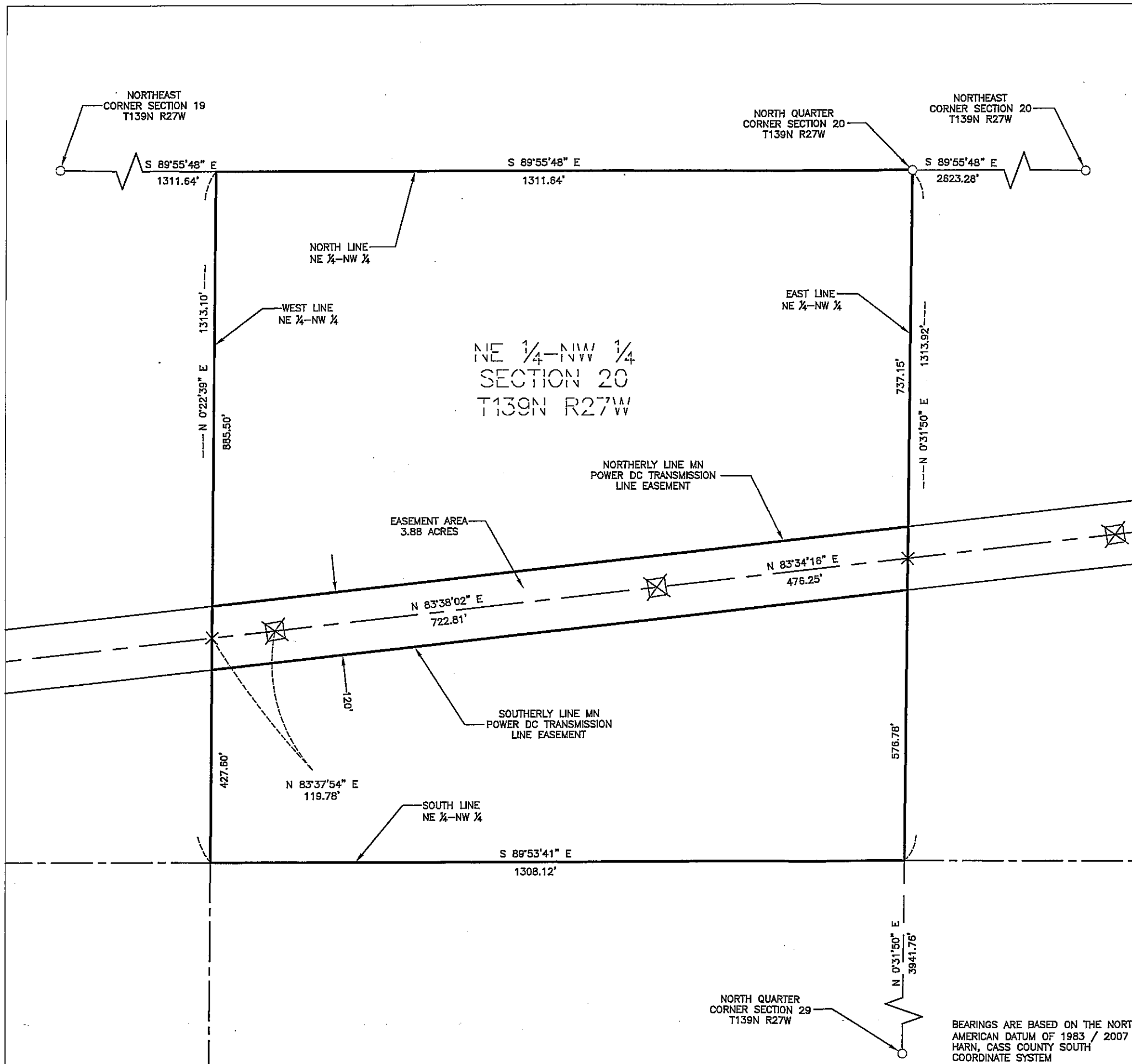
The sidelines of said easement are to be prolonged or shortened to terminate on the east line, and on the west line of said Northeast Quarter of the Northwest Quarter.

SURVEYOR'S CERTIFICATE

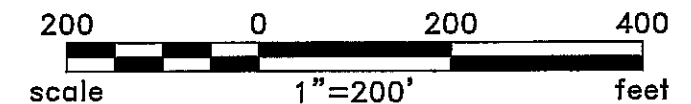
I HEREBY CERTIFY THAT THIS SURVEY, PLAN OR REPORT WAS PREPARED BY ME OR UNDER MY DIRECT SUPERVISION AND THAT I AM A DULY LICENSED LAND SURVEYOR UNDER THE LAWS OF THE STATE OF MINNESOTA.

Jarrett M. Leas
 JARRETT M. LEAS, MINNESOTA LICENSE NO. 42619

1-13-14
 DATE



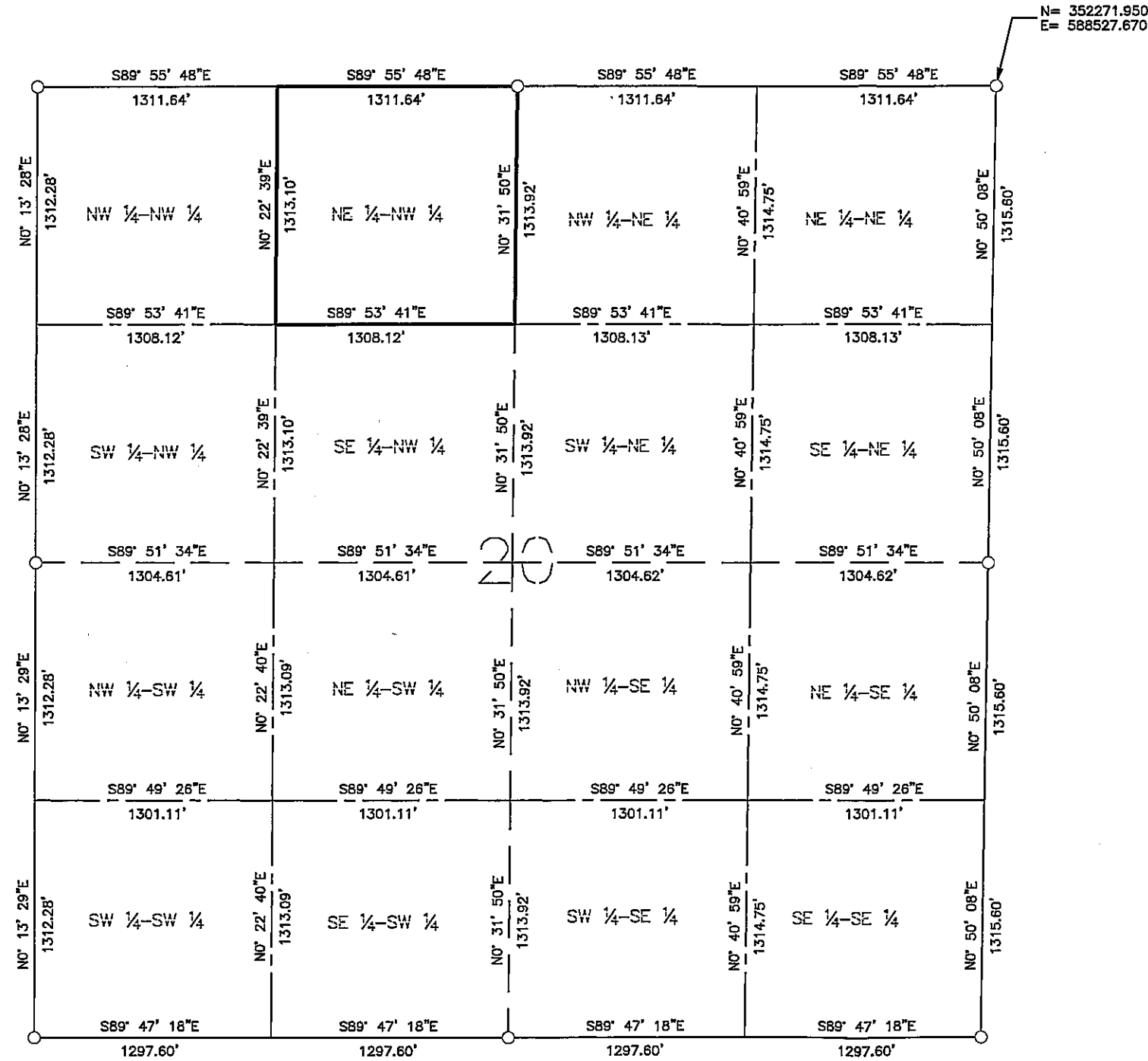
- LEGEND**
- ⊠ = DC Transmission Line Structure
 - = Found Monument
 - = Set Monument, PLS 42619
 - = Minnesota Power Right-Of-Way
 - = Transmission Center Line
 - = Section Line
 - - - - = Quarter Section Line
 - = Sixteenth Section Line
 - = Property Line



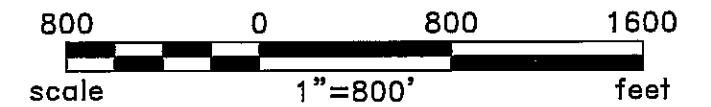
Rev'd.	Cass County, MN MINNESOTA POWER Duluth, MN	SHEET NO. 1 of 2
	NE 1/4 - NW 1/4 SECTION 20 T139N R27W PROJECT PARCEL NO. 47	
	DRWN. BY FGJ	CHK'D BY JML
	PROJECT NO. 51812100	LAST REVISED 12/9/2013
Plotted-12/09/2013-4:19pm		(Layout1) © KLJ 2013

CERTIFICATE OF SURVEY

SECTION 20, TOWNSHIP 139 NORTH,
RANGE 27 WEST, OF THE 5TH PRINCIPAL MERIDIAN,
CASS COUNTY, MINNESOTA



- LEGEND**
- = Found Monument
 - = Set Monument, PLS 42619
 - = Section Line
 - - - = Quarter Section Line
 - - - - = Sixteenth Section Line



BEARINGS ARE BASED ON THE NORTH
AMERICAN DATUM OF 1983 / 2007
HARN, CASS COUNTY SOUTH
COORDINATE SYSTEM

Rev'd.		Cass County, MN MINNESOTA POWER Duluth, MN		SHEET NO. 2 of 2
		SECTION 20 T139N R27W PROJECT PARCEL NO. 47		
		DRWN. BY FGJ	CHK'D BY JML	PROJECT NO. 51612100
Plotted-12/17/2013-9:48am				(Layout1) © KLJ 2013