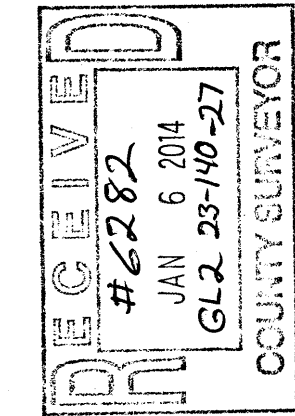


CERTIFICATE OF SURVEY

LOT 9 & PART OF LOT 8, EWERS SHORES,
SECTION 23, TOWNSHIP 140 NORTH, RANGE 27 WEST,
CASS COUNTY, MINNESOTA



NO.	DATE	DESCRIPTION
1	02-26-2013	Adjusted Proposed Additional Tract
2	09-19-2013	Adjusted Proposed Additional Tract

I HEREBY CERTIFY THAT THIS SURVEY PLAN OR REPORT WAS PREPARED BY ME OR UNDER MY DIRECT SUPERVISION AND THAT I AM A DULY LICENSED LAND SURVEYOR UNDER THE LAWS OF THE STATE OF MINNESOTA.

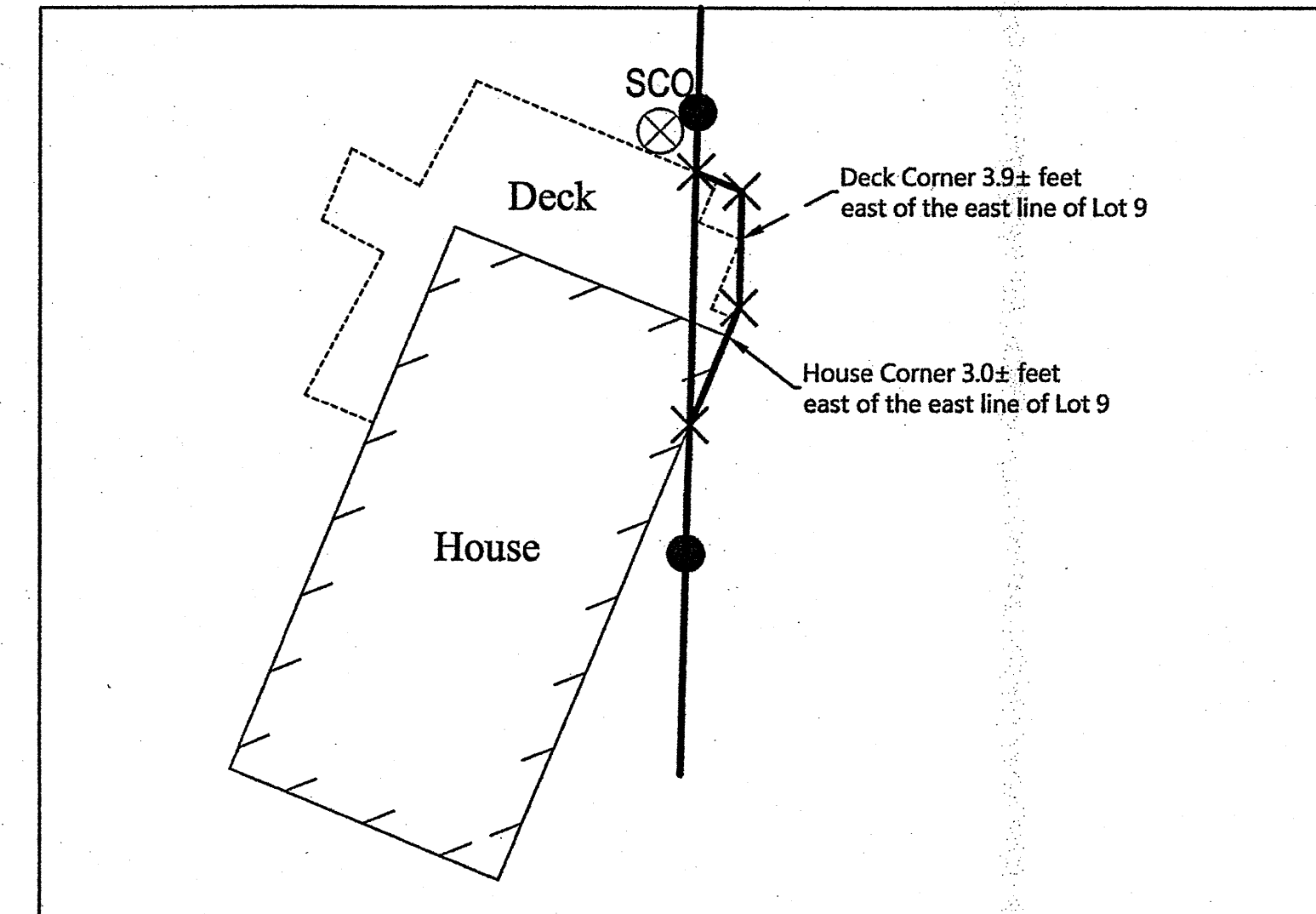
Terry L. Freeman
TERRY L. FREEMAN
LIC. NO. 21367



CERTIFICATE OF SURVEY
Carrie Jaehning
2426 Enfield Grove Rd
San Antonio, TX 78231

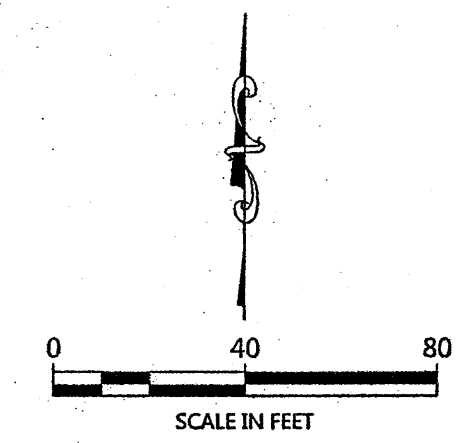
JOB NO. 12-122
DATE: 9-19-2012
SHEET NO.
1 OF 1

DETAIL (NO SCALE)



PROPOSED DESCRIPTION:

That part of the Lot 8, EWERS SHORES, according to the recorded thereof, Cass County, Minnesota, described as follows: COMMENCING at the northwest corner of said Lot 8; thence South 01 degree 26 minutes 52 seconds West, assigned bearing, along the west line thereof, 352.96 feet to the point of beginning of the tract to be herein described; thence South 67 degrees 25 minutes 38 seconds East 4.18 feet; thence South 01 degree 26 minutes 52 seconds West 9.96 feet; thence South 22 degrees 33 minutes 05 seconds West 10.83 feet to said west line; thence North 01 degree 26 minutes 52 seconds East, along said west line, 21.57 feet to the point of beginning.



ORIENTATION OF THIS BEARING SYSTEM IS BASED ON THE NORTH LINE OF LOT 9 TO HAVE AN ASSIGNED BEARING OF S 88°30'45" E.

LEGEND

- DENOTES MONUMENT FOUND
- × DENOTES CALCULATED POSITION
- ⊙ ⊗ ⊕ ⊖ DENOTES EXISTING SEPTIC CLEANOUT & SEPTIC TANK LID
- ⊕ ⊖ DENOTES EXISTING ELECTRIC OUTLET/JUNCTION BOX

