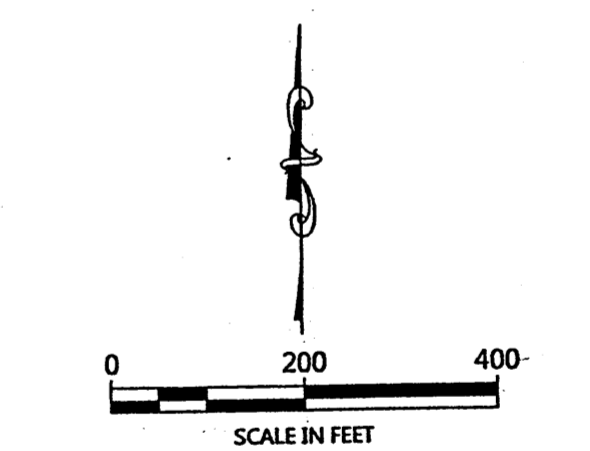
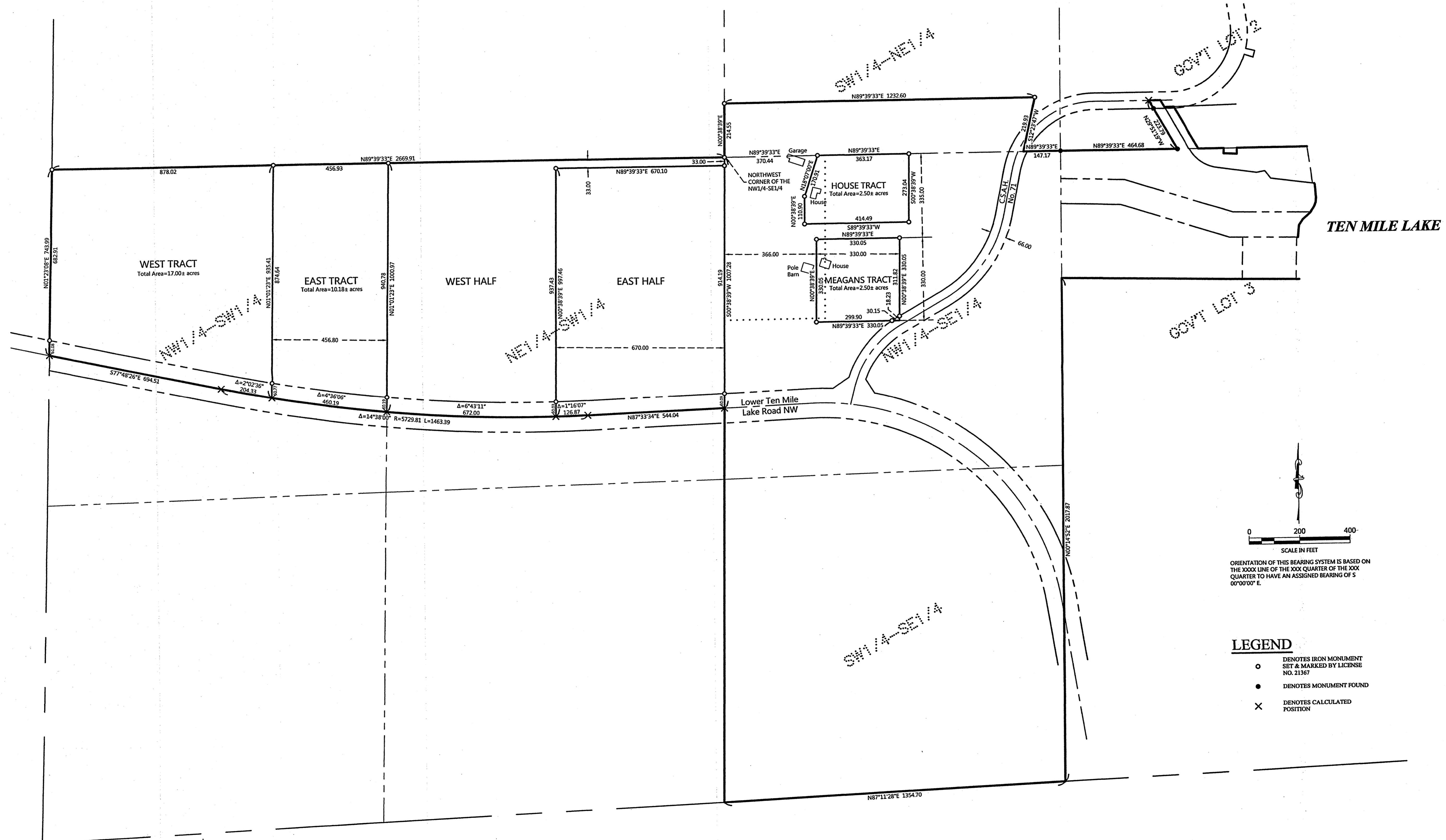
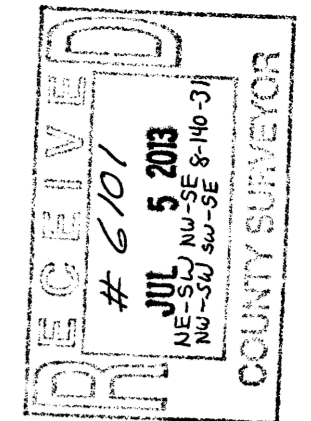


CERTIFICATE OF SURVEY

PARTS OF SECTION 8, TOWNSHIP 140 NORTH, RANGE 31 WEST,
CASS COUNTY, MINNESOTA



ORIENTATION OF THIS BEARING SYSTEM IS BASED ON THE XXXX LINE OF THE XXX QUARTER OF THE XXX QUARTER TO HAVE AN ASSIGNED BEARING OF S 00°00'00" E.

- LEGEND**
- DENOTES IRON MONUMENT SET & MARKED BY LICENSE NO. 21367
 - DENOTES MONUMENT FOUND
 - × DENOTES CALCULATED POSITION

NO.	DATE	DESCRIPTION

I HEREBY CERTIFY THAT THIS SURVEY PLAN OR REPORT WAS PREPARED BY ME OR UNDER MY DIRECT SUPERVISION AND THAT I AM A DULY LICENSED LAND SURVEYOR UNDER THE LAWS OF THE STATE OF MINNESOTA.

TERRY L. FREEMAN
LIC. NO. 21367



CERTIFICATE OF SURVEY
Jim McGill
4165 Co 71 NW
Hackensack, MN 56452

JOB NO. 13-041
DATE: xx-xx-2013
SHEET NO.
1 OF 1