

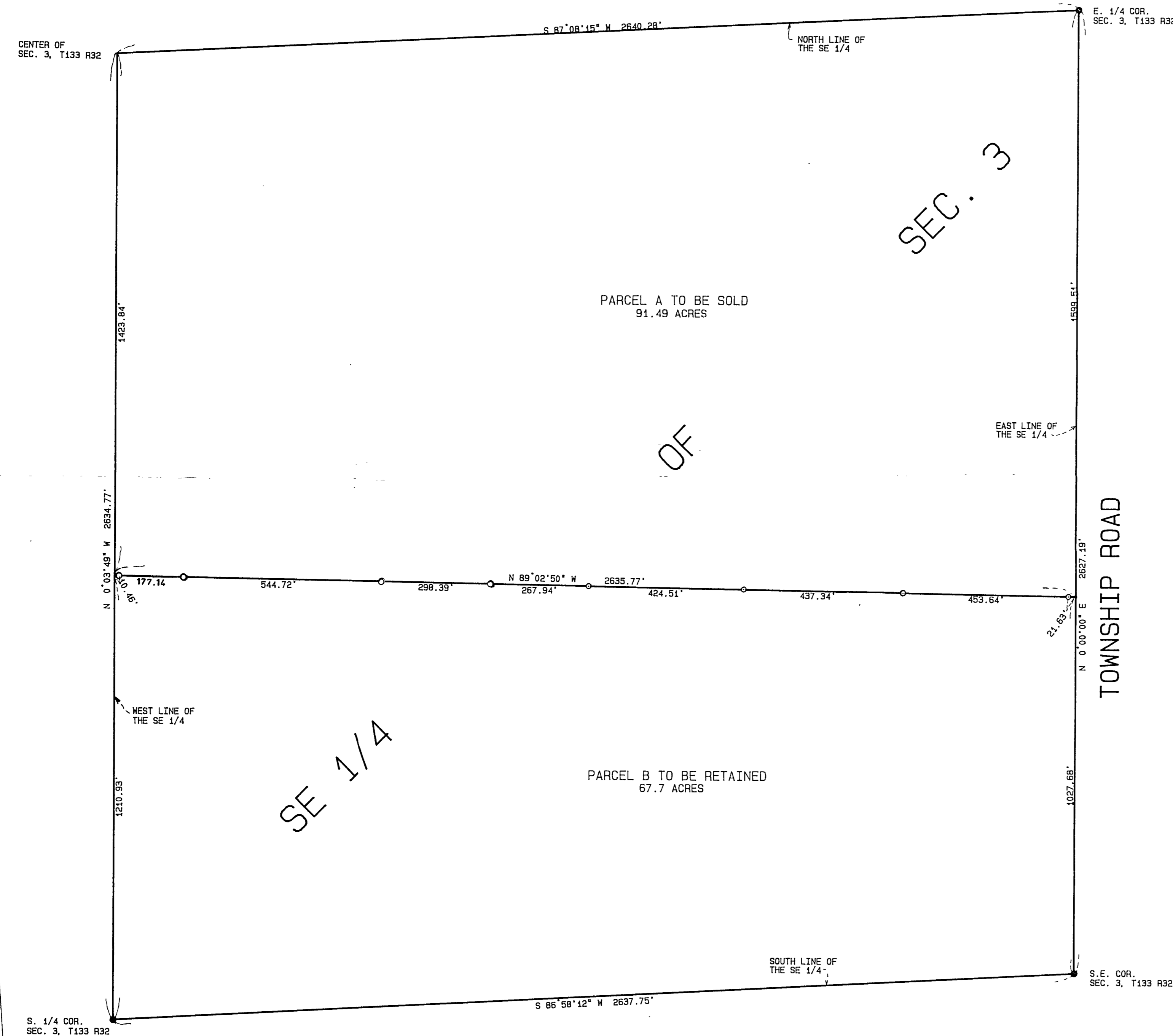
CENTRAL MINNESOTA SURVEYING, INC.

411 LAUREL STREET, BRAINERD, MN 56401 (218) 829-1751

985955

THE SOUTHEAST QUARTER OF SECTION 3, TOWNSHIP
133, RANGE 32, CASS COUNTY, MINNESOTA.

FOR: BILL SKEESICK
DOUGLAS MALARK
ROUTE 2, BOX 20
MOTLEY, MN 56466



PARCEL A

That part of the Southeast Quarter of Section 3, Township 133, Range 32, Cass County, Minnesota which lies northerly of the following described line:

Commencing at the northeast corner of said Southeast Quarter; thence South 0 degrees 00 minutes 00 seconds West, assumed bearing, 1599.51 feet along the east line of said Southeast Quarter to the point of beginning of the line to be described; thence North 89 degrees 02 minutes 50 seconds West 2635.77 feet to the west line of said Southeast Quarter and there terminating.

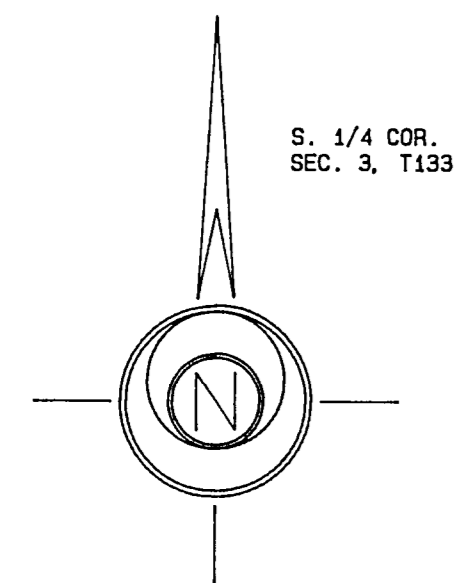
Subject to right of way for township road on the east.

PARCEL B

That part of the Southeast Quarter of Section 3, Township 133, Range 32, Cass County, Minnesota which lies southerly of the following described line:

Commencing at the northeast corner of said Southeast Quarter; thence South 0 degrees 00 minutes 00 seconds West, assumed bearing, 1599.51 feet along the east line of said Southeast Quarter to the point of beginning of the line to be described; thence North 89 degrees 02 minutes 50 seconds West 2635.77 feet to the west line of said Southeast Quarter and there terminating.

Subject to right of way for township road on the east.



SCALE: 1 INCH = 200 FT.

- DENOTES: FOUND IRON MONUMENT
- DENOTES: 1/2 INCH IRON PIPE SET AND CAPPED RLS 17253

I HEREBY CERTIFY THAT THIS SURVEY WAS PREPARED BY ME OR UNDER MY DIRECT SUPERVISION AND THAT I AM A DULY LICENSED LAND SURVEYOR UNDER THE LAWS OF THE STATE OF MINNESOTA.

Bruce Grzyna
BRUCE GRZYNA REG. NO. 17253 DATE: 10/20/98 BK 104, PG. 49 JOB NO. 985955