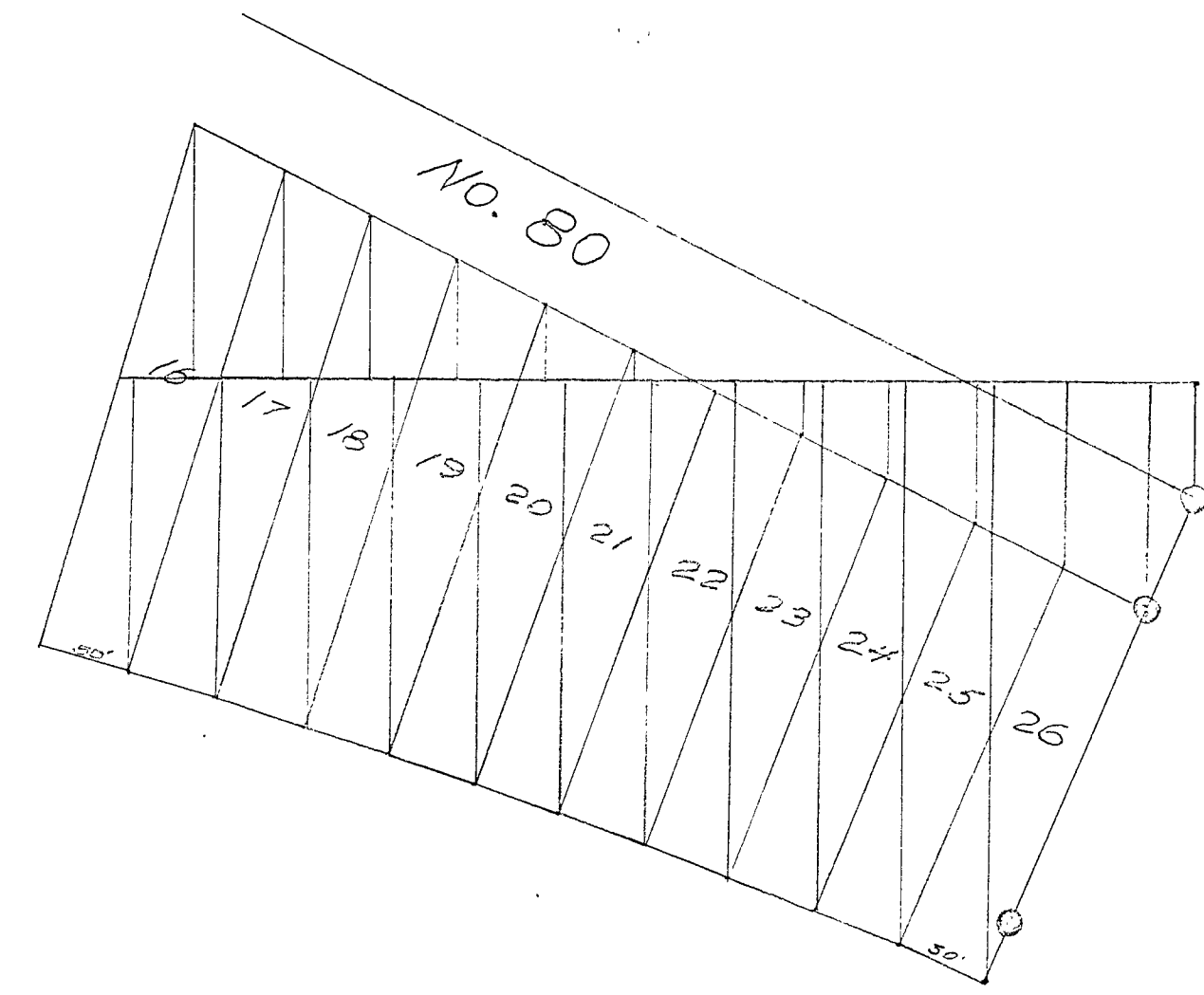
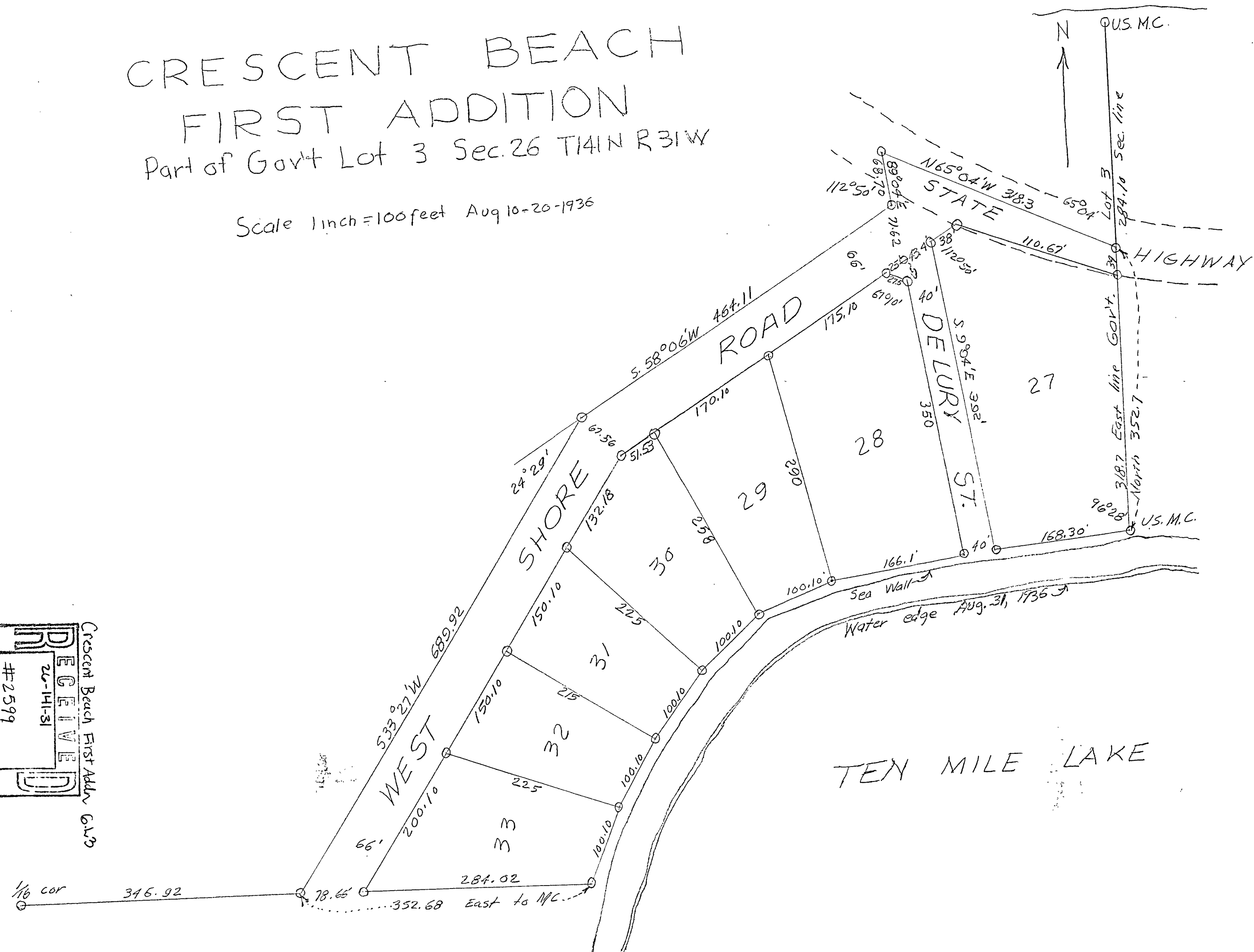


# CRESCENT BEACH FIRST ADDITION

Part of Gov't Lot 3 Sec. 26 T14N R31W

Scale 1 inch = 100 feet Aug 10-20-1936

PORTAGE LAKE



**RECEIVED**  
#2599  
20-141-31  
CASS COUNTY SURVEYOR

Crescent Beach First Addn G.L.'s

1/16 cor 346.92  
78.66  
284.02  
352.68 East to M.C.