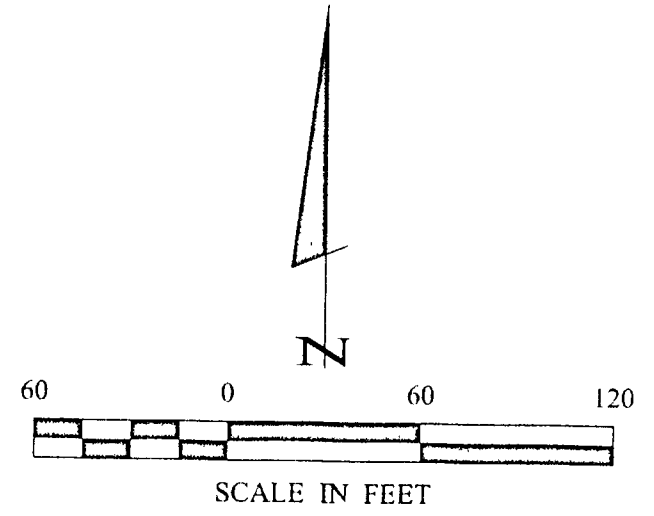
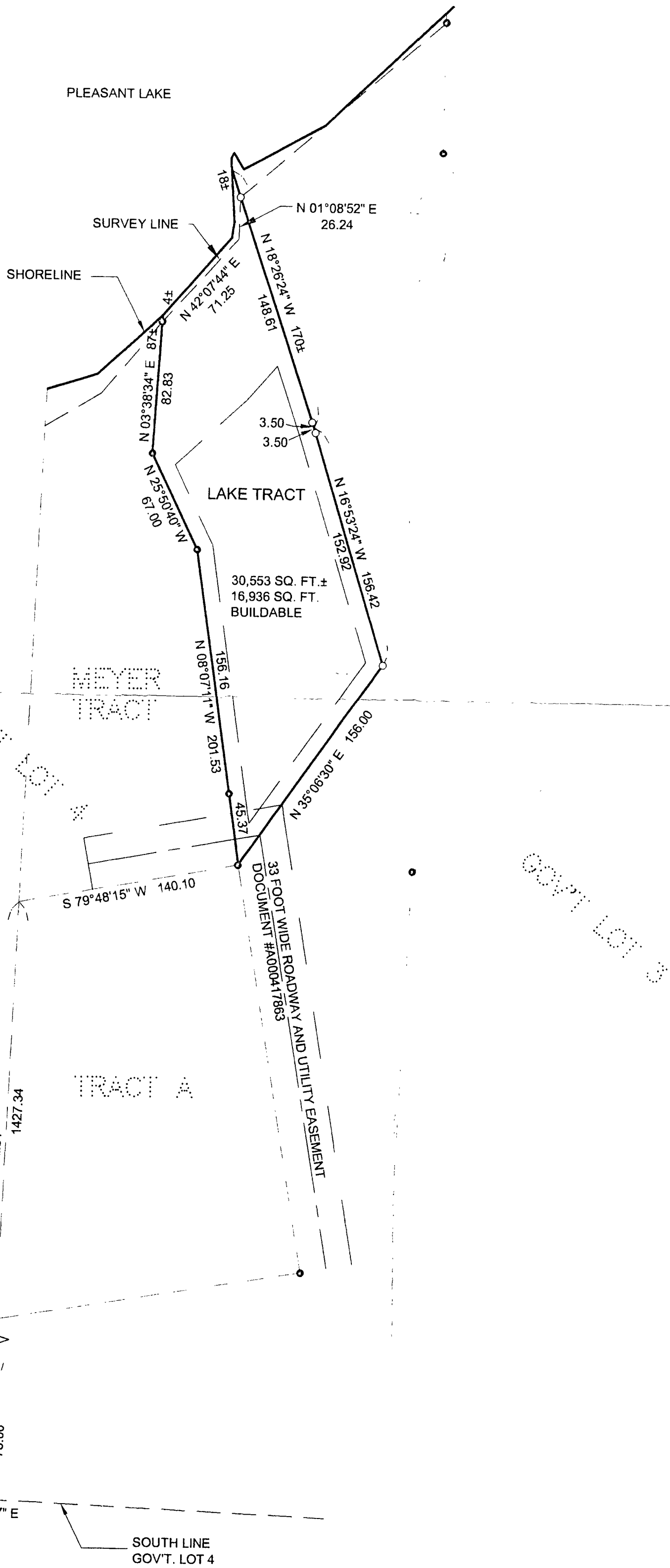


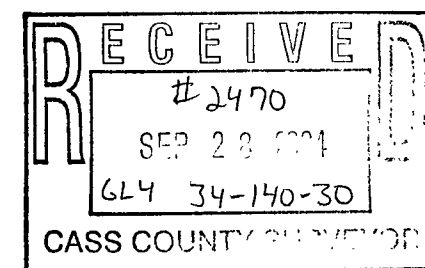
CERTIFICATE OF SURVEY

PART OF GOVERNMENT LOT 4,
SECTION 34, TOWNSHIP 140 NORTH, RANGE 30 WEST,
CASS COUNTY, MINNESOTA



- DENOTES MONUMENT FOUND
- DENOTES IRON MONUMENT SET MARKED BY LICENSE NO. 21367

ORIENTATION OF THIS BEARING SYSTEM IS BASED ON THE SOUTH LINE OF GOV'T LOT 4 TO HAVE AN ASSUMED BEARING OF S 87° 32' 27\"/>



1 of 1 SHEET	CERTIFICATE OF SURVEY			PROJ. MGR. DRG	COMPUTER: 042219	DATE: 9/20/04	REVISIONS		I HEREBY CERTIFY THAT THIS SURVEY, PLAN, SPECIFICATION OR REPORT WAS PREPARED BY ME OR UNDER MY DIRECT SUPERVISION AND THAT I AM A DULY LICENSED PROFESSIONAL ENGINEER OF LAND SURVEYOR UNDER THE LAWS OF THE STATE OF MINNESOTA. FERRY L. FREEMAN DATE 9/20/04 LIC. NO. 21367	Landecker & Associates, Inc. Engineering - Surveying - Planning Waler, MN 56484 Phone: 1-218-547-1296 Fax: 1-218-547-2272	
	BRAD & KATHLEEN MEYER 9278 134TH AVE. BECKER, MN 55308			CHECKED BY: TLF	FIELD BOOK: BOOK 217 PG. 74	SCALE: HORZ 1"=60'	DATE	DESCRIPTION			BY
				DRAWN BY: TRJ	FILE NO 042219	VERT. NONE					