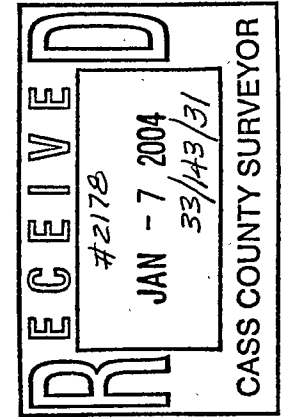
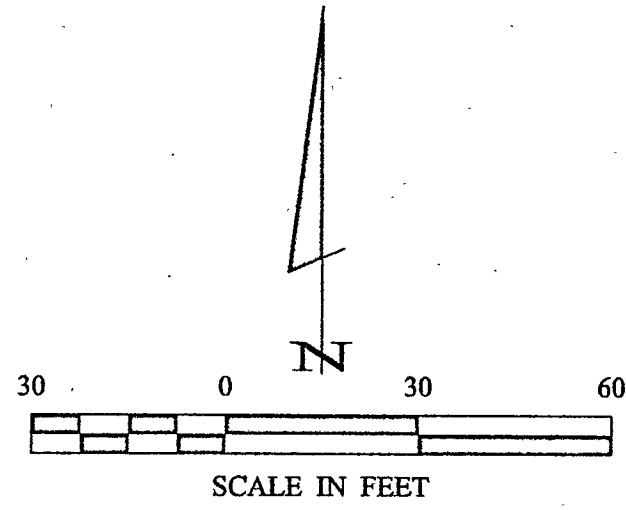


CERTIFICATE OF SURVEY

LOT 3, BLOCK TWO, MOONLIGHT BAY ESTATES
SECTION 33, TOWNSHIP 143 NORTH, RANGE 31 WEST,
CASS COUNTY, MINNESOTA

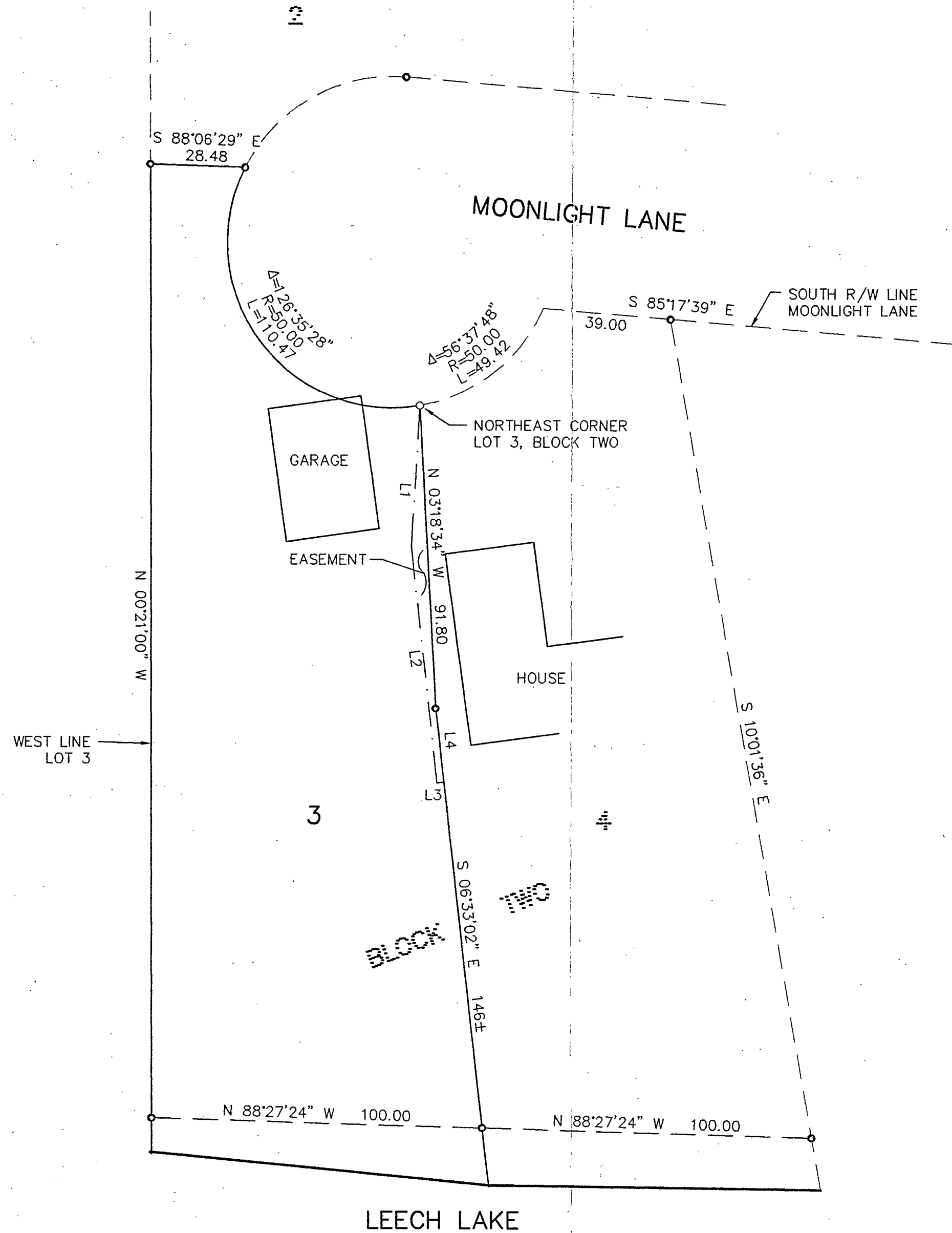


Landecker & Associates, Inc.
Engineering - Surveying - Planning
Walker, MN 56484
Phone: 1-218-541-1296 Fax: 1-218-541-2772



- DENOTES MONUMENT FOUND
- DENOTES IRON MONUMENT SET MARKED BY LICENSE NO. 21367

ORIENTATION OF THIS BEARING SYSTEM IS BASED ON THE WEST LINE OF LOT 3, BLOCK TWO, TO HAVE AN ASSUMED BEARING OF S 0° 21' 00" E.



LINE TABLE		
LINE	BEARING	LENGTH
L1	S03°06'02"W	42.89
L2	S06°33'02"E	71.92
L3	S82°12'56"E	2.00
L4	N06°33'02"W	22.50

I HEREBY CERTIFY THAT THIS SURVEY, PLAN, SPECIFICATION, SUPERVISION AND THAT I AM A DULY LICENSED PROFESSIONAL ENGINEER OR LAND SURVEYOR UNDER THE LAWS OF THE STATE OF MINNESOTA.
DATE: 12/17/03
BY: FERRY L. FREEMAN LIC. NO. 21367

DATE	REVISIONS	DESCRIPTION

DATE: 12/17/03
SCALE: 1" = 30'
HORZ. 1" = 30'
VERT. NONE

COMPUTER: 032302
FIELD BOOK: BOOK 208 PG. 41
FILE NO: 032302

PROD. MGR. DRG
CHECKED BY: TLF
DRAWN BY: DRG

CERTIFICATE OF SURVEY
EDWARD DAVIDGE
6349 MOONLIGHT LANE NW
WALKER, MN 56484