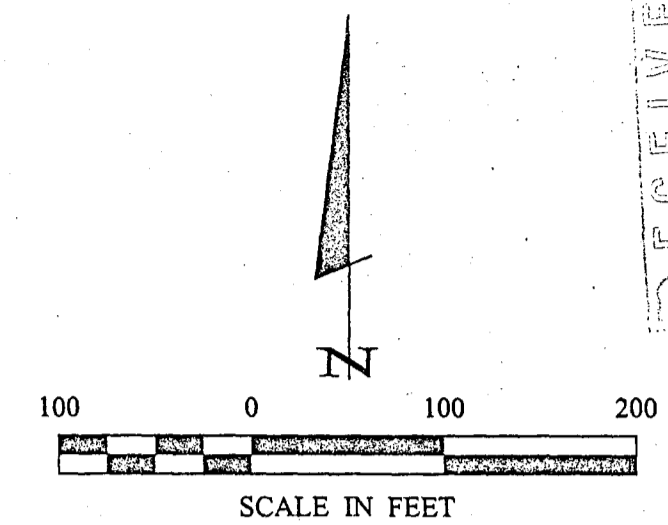
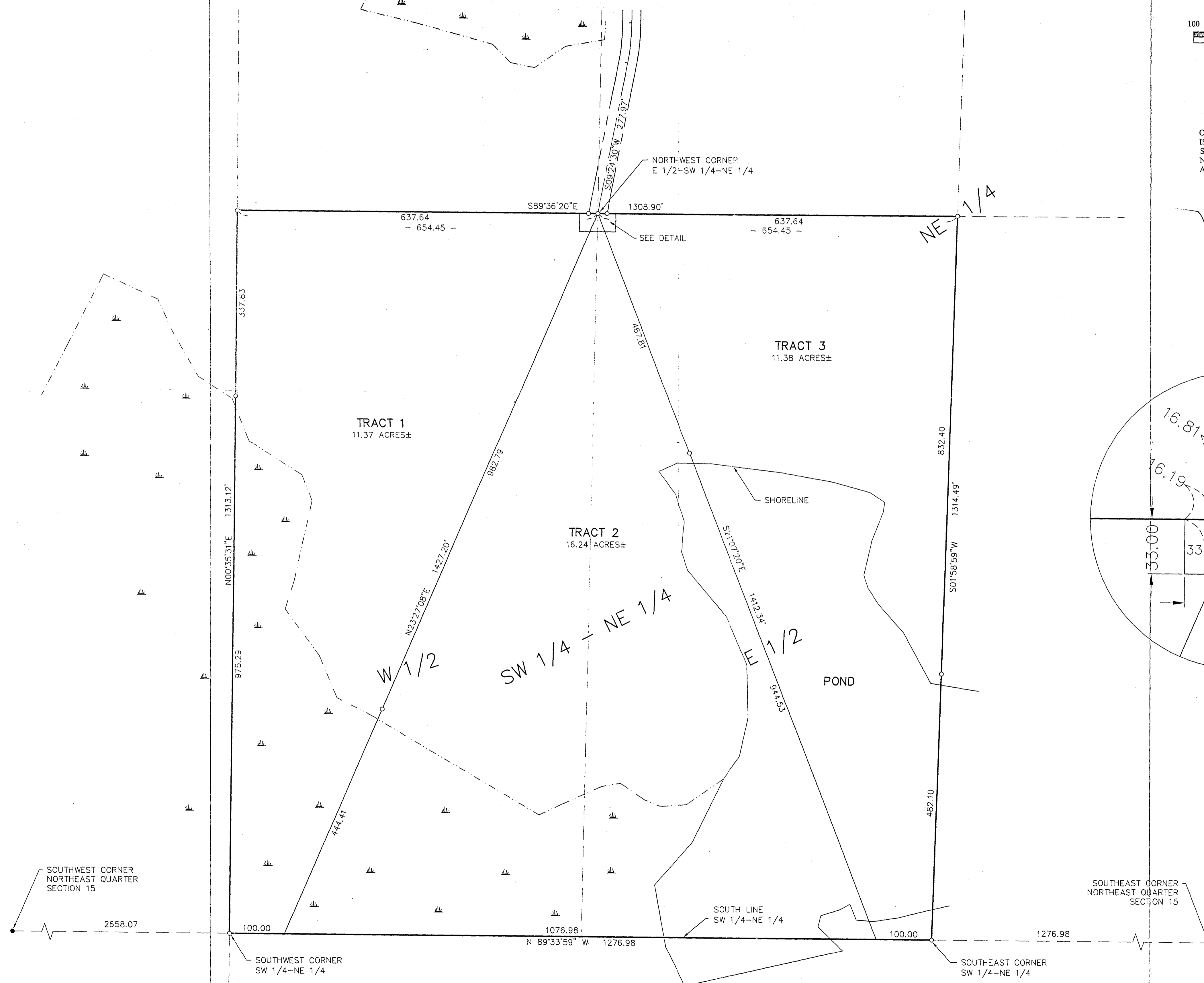


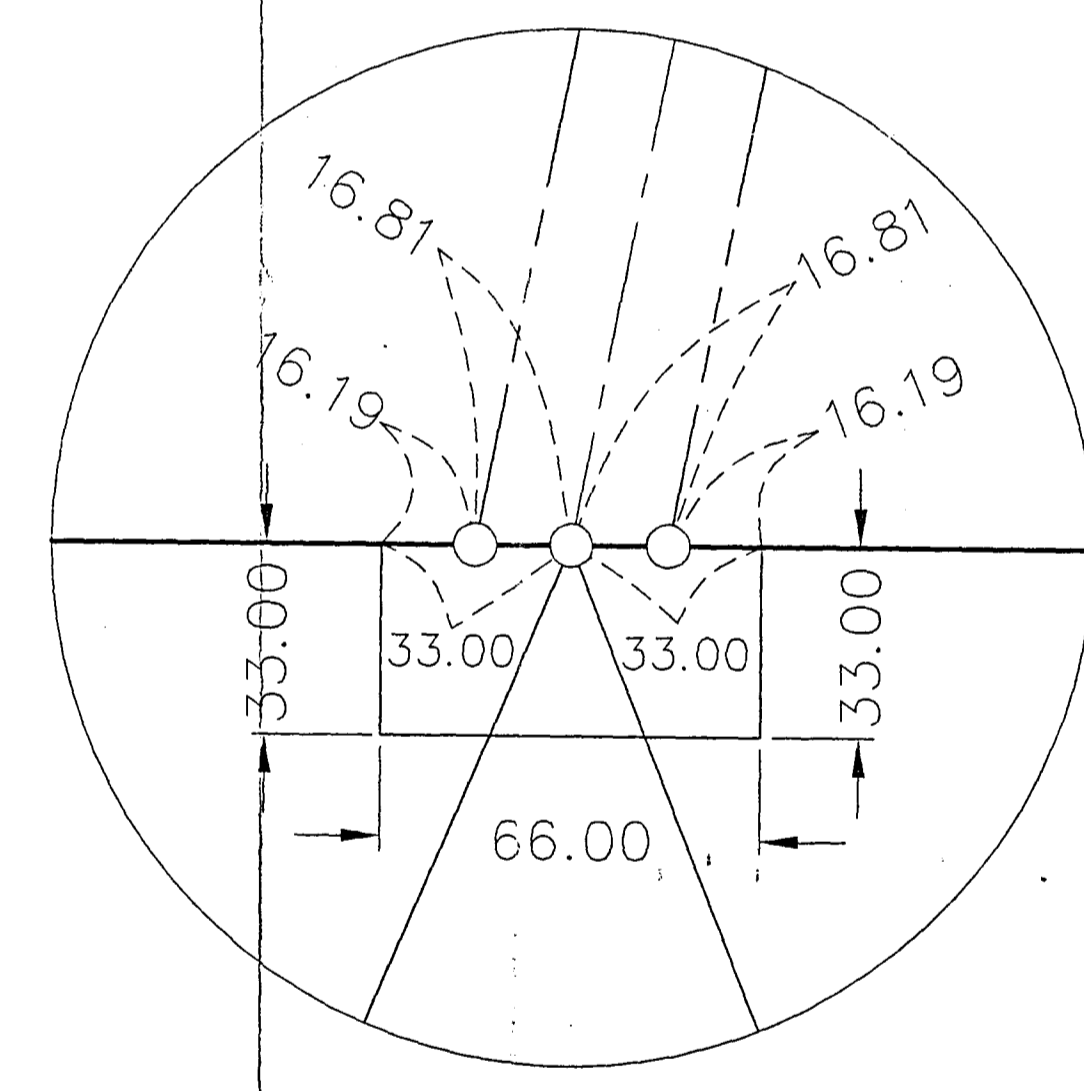
CERTIFICATE OF SURVEY

SOUTHWEST QUARTER OF NORTHEAST QUARTER,
SECTION 15, TOWNSHIP 140 NORTH, RANGE 31 WEST,
CASS COUNTY, MINNESOTA

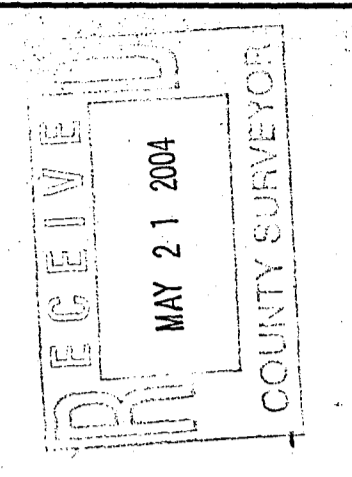


- DENOTES MONUMENT FOUND
- DENOTES IRON MONUMENT SET MARKED BY LICENSE NO. 21367
- ≡ DENOTES WETLAND

ORIENTATION OF THIS BEARING SYSTEM IS BASED ON THE SOUTH LINE OF THE SOUTHWEST QUARTER OF THE NORTHEAST QUARTER TO HAVE AN ASSUMED BEARING OF S 89° 33' 59\"/>



DETAIL



Landecker & Associates, Inc.
Engineering, Surveying, Planning
Walker, MN 56484
Phone: 1-218-947-1296 Fax: 1-218-947-2172

BY: *Pat Moran*
DATE: 08.05.03
LIC. NO. 7452

REVISIONS	DATE	DESCRIPTION

DATE:	SCALE:
	HORZ. 1" = 100'
	VERT. NONE

COMPUTER:	FIELD BOOK:
022046	BOOK 180 PG. 26
	FILE NO:
	022046

PROJ. MGR:	CHECKED BY:
DRG	ML

CERTIFICATE OF SURVEY
SHEET

PAT MORAN
PO BOX 393
LONGVILLE, MIN. 56655

B58