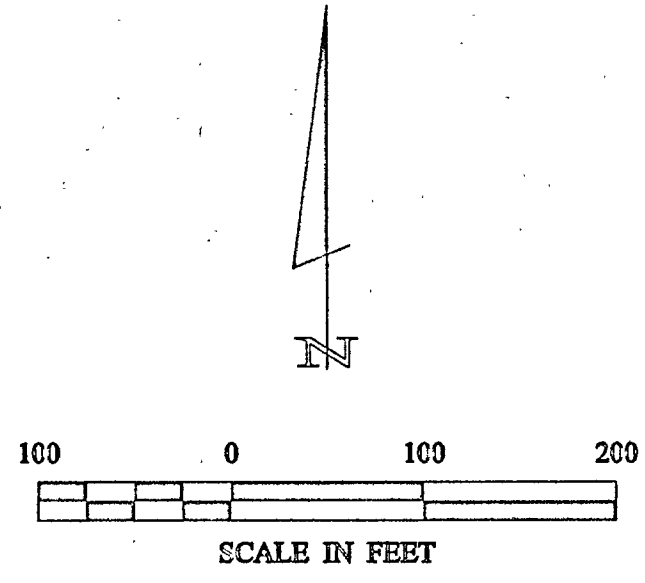


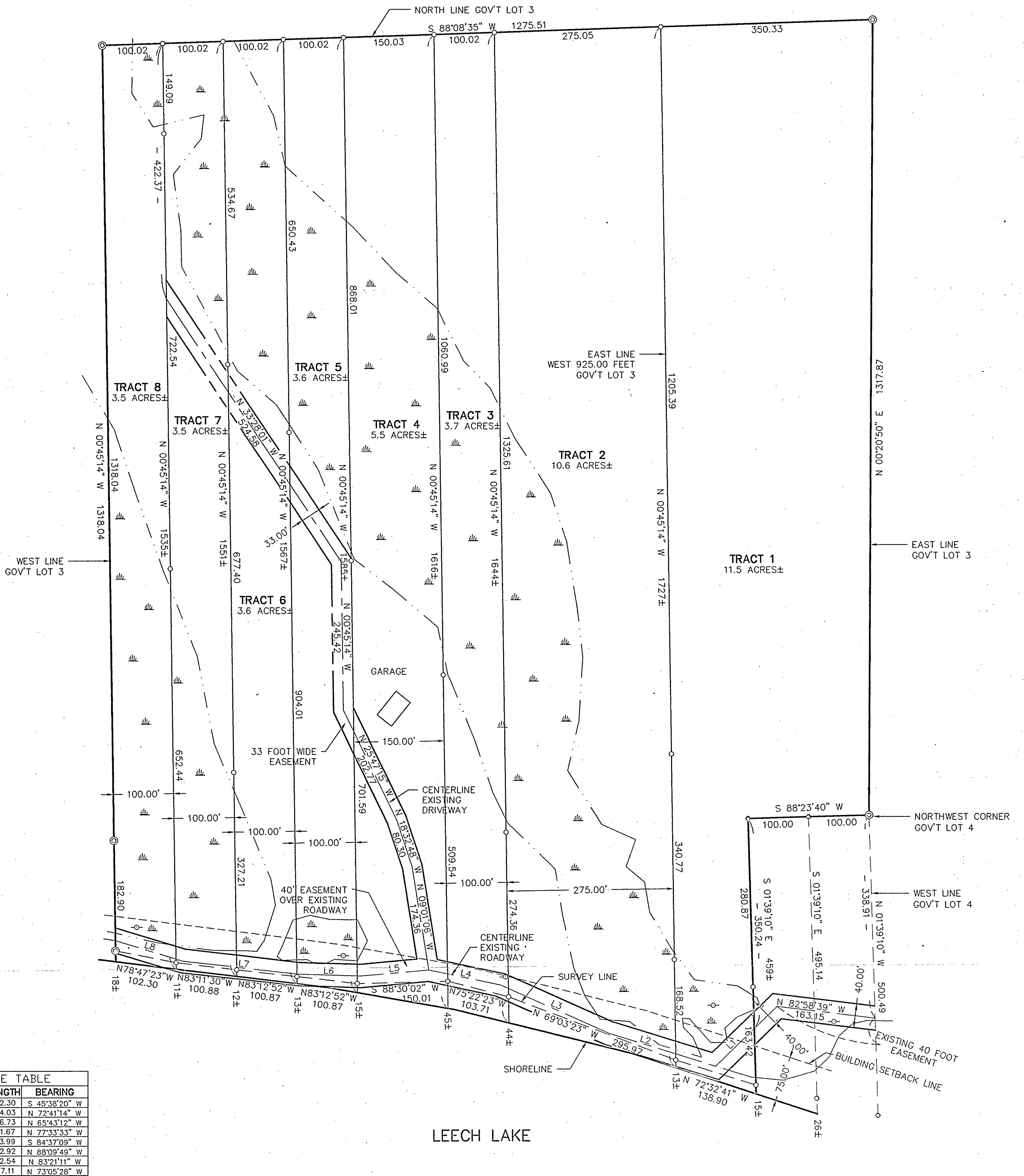
CERTIFICATE OF SURVEY

PART OF GOVERNMENT LOT 3,
SECTION 24, TOWNSHIP 144 NORTH, RANGE 30 WEST,
CASS COUNTY, MINNESOTA

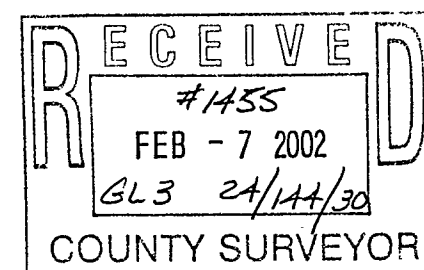


- ⊙ DENOTES GLO BRASS CAP MONUMENT FOUND
- DENOTES MONUMENT FOUND
- DENOTES IRON MONUMENT SET MARKED BY LICENSE NO. 21367
- ≡ DENOTES WETLAND

ORIENTATION OF THIS BEARING SYSTEM IS BASED ON THE WEST LINE OF GOV'T LOT 4 TO HAVE AN ASSUMED BEARING OF N 01° 39' 10" W.



LINE TABLE		
LINE	LENGTH	BEARING
L1	142.30	S 45°38'20" W
L2	184.03	N 72°41'14" W
L3	196.73	N 65°43'12" W
L4	121.67	N 77°33'33" W
L5	113.99	S 84°37'09" W
L6	102.92	N 88°09'49" W
L7	192.54	N 83°21'11" W
L8	117.11	N 73°05'28" W



1 of 1	CERTIFICATE OF SURVEY	PROJ. MGR. DRG	COMPUTER: 012001	DATE: 1/25/02	REVISIONS DATE DESCRIPTION BY	I HEREBY CERTIFY THAT THIS SURVEY, PLAN, SPECIFICATION, OR REPORT WAS PREPARED BY ME OR UNDER MY DIRECT SUPERVISION AND THAT I AM A DULY LICENSED PROFESSIONAL ENGINEER OR LAND SURVEYOR UNDER THE LAWS OF THE STATE OF MINNESOTA.
	PAUL HOLLAND 14330 BOWERS DR. ANOKA, MN. 55303	CHECKED BY: TLF	FIELD BOOK: BOOK 176 PG. 24	SCALE: HORZ. 1"=100'		 TERRY L. FREEMAN DATE: 1/25/02 LIC. NO. 21367