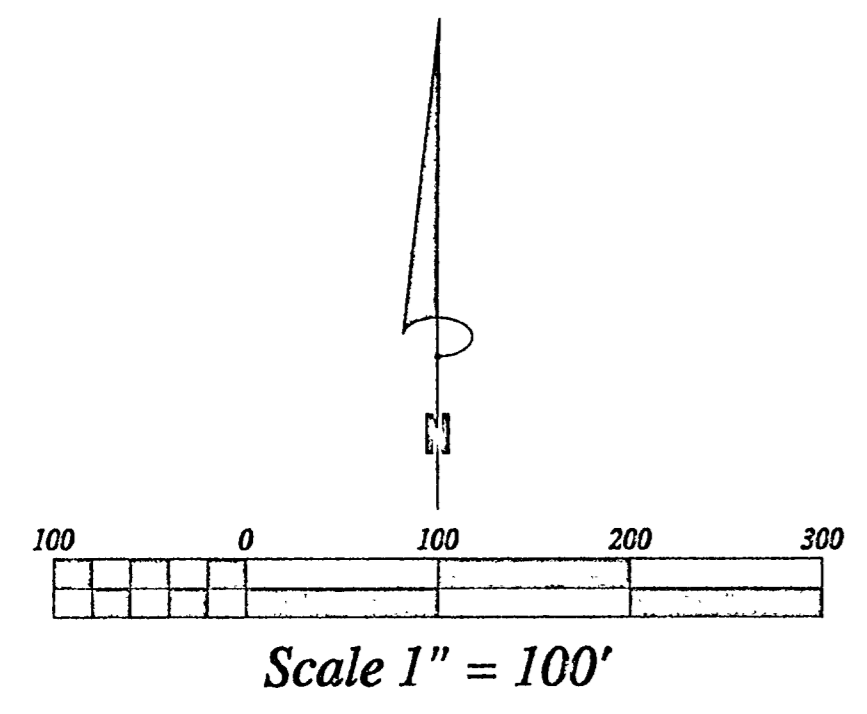


CERTIFICATE OF SURVEY

BLUE HERON COVE

GOVERNMENT LOT 7, SECTION 6, T145N, R31W



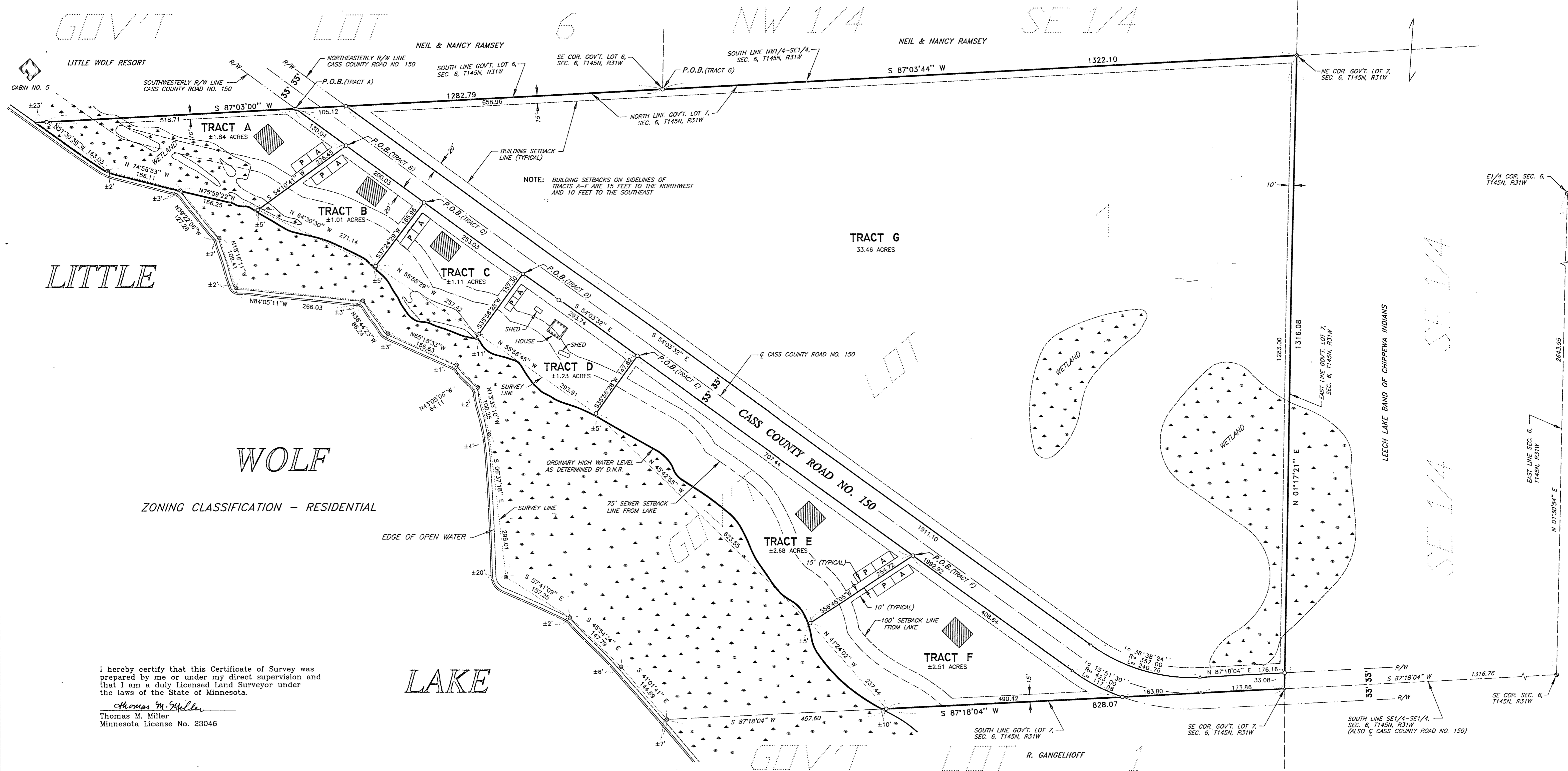
- LEGEND**
- SET 1/2" DIA. IRON REBAR WITH PLASTIC CAP MARKED MILLER 23046
 - ⊙ SET 1/2" DIA. IRON REBAR WITH PLASTIC CAP MARKED SCHELLACK 15572
 - ⊙ FOUND CASS COUNTY 2" SQUARE MONUMENT IN PLACE
 - ⊙ FOUND 1-1/4" DIA. IRON PIPE IN PLACE
 - ⊙ FOUND 3/4" DIA. IRON PIPE WITH PLASTIC CAP MARKED RLS 15483
 - △ COMPUTED POSITION - NOTHING SET
 - POWER POLE
 - R/W RIGHT-OF-WAY
 - P.O.B. POINT OF BEGINNING
 - P DENOTES PRIMARY SEWAGE DISPOSAL SITE - SEE ISTS REPORT FOR SIZE
 - A DENOTES ALTERNATE SEWAGE DISPOSAL SITE - SEE ISTS REPORT FOR SIZE
 - ▨ DENOTES POSSIBLE BUILDING SITE - 2000 SQ. FT.

AREAS

TRACT	TOTAL AREA	AREA EXCLUDING WETLANDS
A	±80,153 SQ. FT.	±43,236 SQ. FT.
B	±44,066 SQ. FT.	±43,082 SQ. FT.
C	±48,482 SQ. FT.	±43,319 SQ. FT.
D	±49,074 SQ. FT.	±49,038 SQ. FT.
E	±2.68 ACRES	±2.68 ACRES
F	±2.51 ACRES	±2.51 ACRES
G	33.46 ACRES	±30.59 ACRES

TOTAL AREA= ±47.14 ACRES
CASS COUNTY ROAD NO. 50= 3.40 ACRES

Orientation of this survey was based upon the east line of Section 6, T145N, R31W, which was assigned a bearing of N 01°30'54" E.



I hereby certify that this Certificate of Survey was prepared by me or under my direct supervision and that I am a duly Licensed Land Surveyor under the laws of the State of Minnesota.

Thomas M. Miller
Thomas M. Miller
Minnesota License No. 23046

DRAWN BY: T.M.M.	APPROVED BY: L.J.S.	REVISIONS:	SCHELLACK ENGINEERING AND LAND SURVEYING	JAMES L. NITCHALS	SHT. NAME: BOUNDARY SURVEY	SHT. NO. 1 OF 2
DATE: 09/08/1998	PROJ. NO.:		P.O. Box 628 Park Rapids, Minnesota 56470	(218) 732-5772 Fax (218) 732-0841		
DWG. NO.: Proj\ntchls1\cos2.dwg	DWG.:					