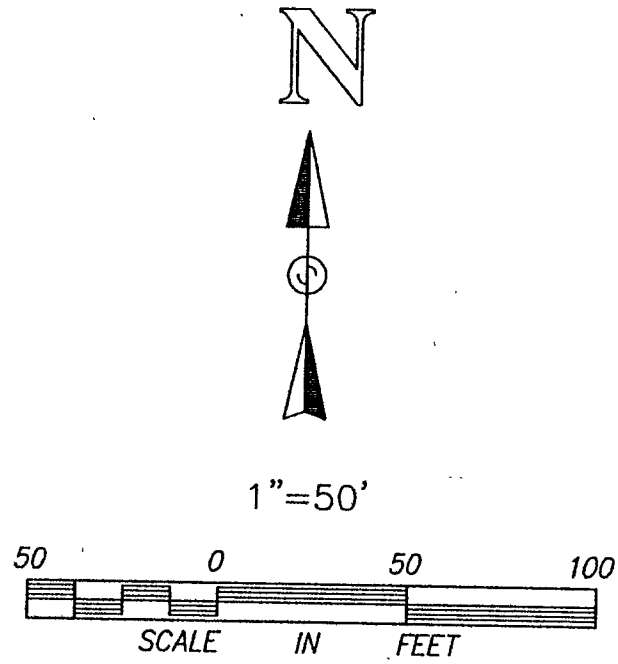


CERTIFICATE OF SURVEY

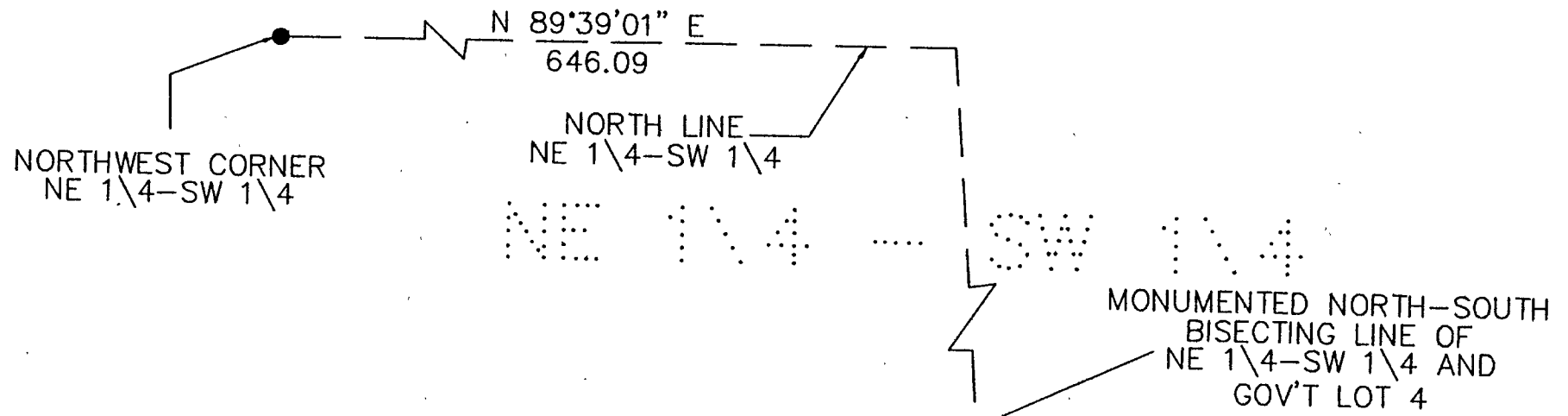
PART OF GOVERNMENT LOT 4, SECTION 25,
TOWNSHIP 141 NORTH, RANGE 31 WEST, CASS COUNTY, MINNESOTA

FOR: JAMES R. ELLERSTON
2406 18th AVE. N.
FORT DODGE, IA. 50501

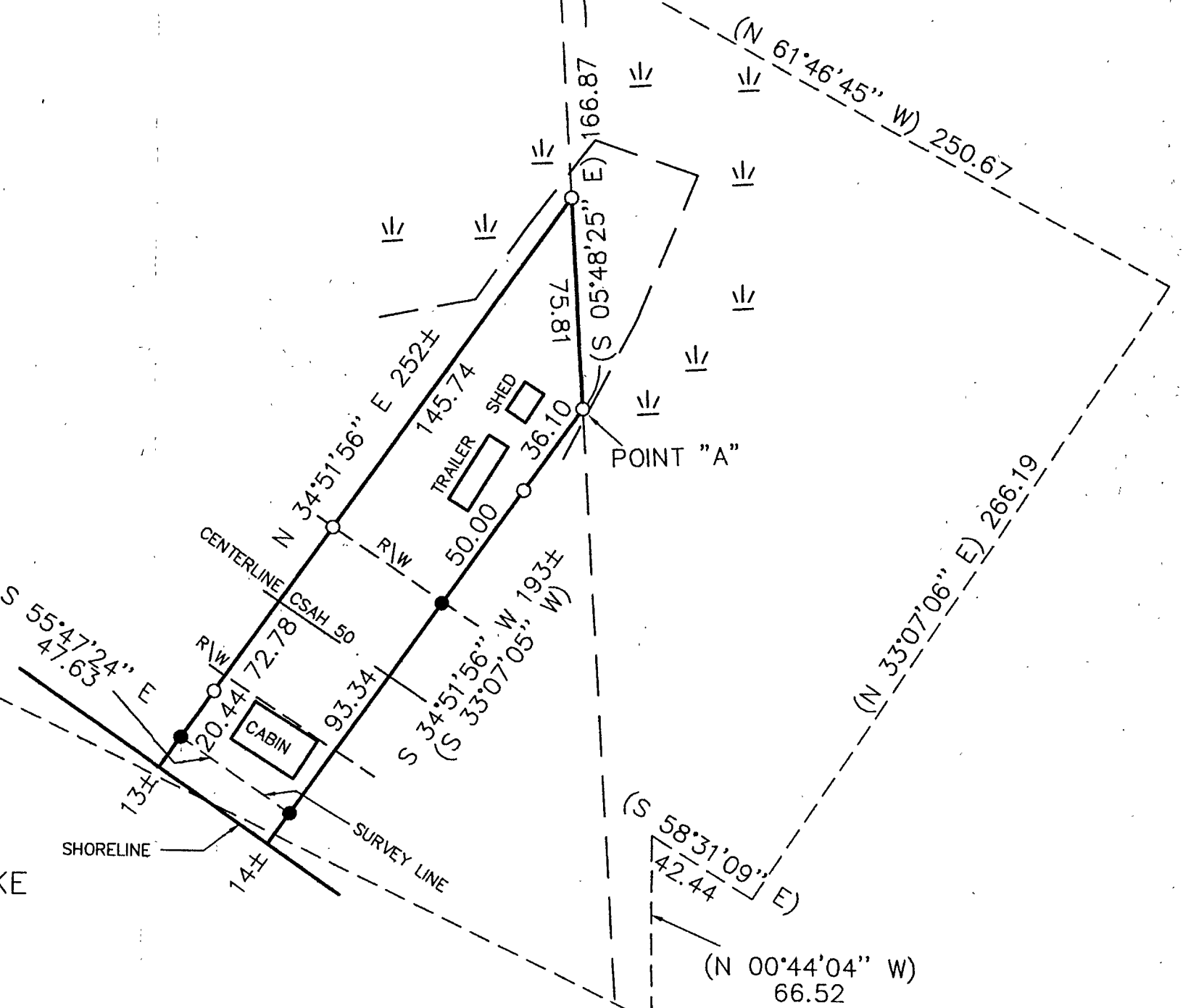
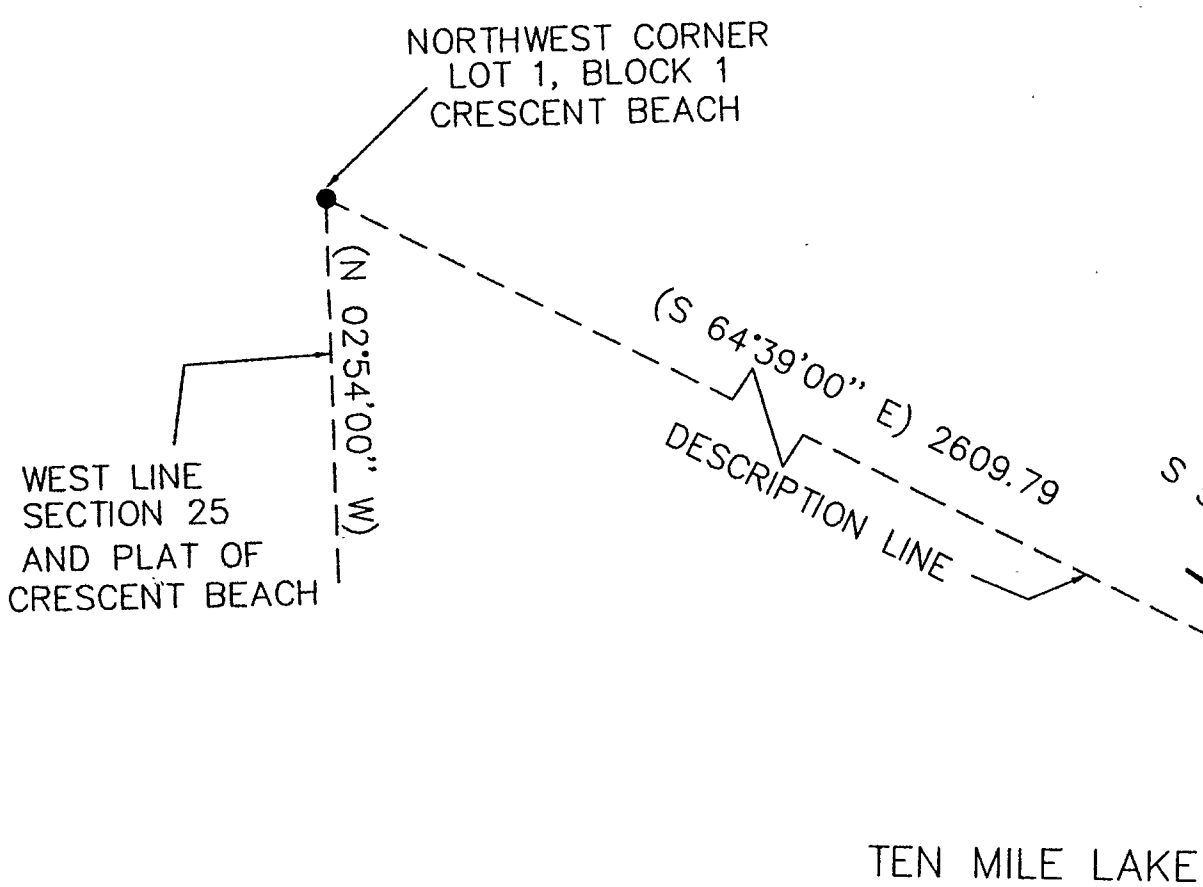


- DENOTES FOUND IRON MONUMENT
- DENOTES IRON MONUMENT SET MARKED BY REGISTRATION NO. 21367
- () DENOTES DIFFERENT BEARING SYSTEM

ORIENTATION OF THIS BEARING SYSTEM IS BASED ON THE NORTH LINE OF NE 1/4-SW 1/4 AND ASSUMED TO BEAR N 89°39'01" E.



GOV'T LOT 4



25/141/31
RECEIVED
OCT 7 1998
21
COUNTY SURVEYOR

I HEREBY CERTIFY THAT THIS SURVEY, PLAN, SPECIFICATION OR REPORT WAS PREPARED BY ME OR UNDER MY DIRECT SUPERVISION AND THAT I AM A DULY LICENSED ENGINEER OR LAND SURVEYOR UNDER THE LAWS OF THE STATE OF MINNESOTA.
James R. Ellerston
DATE 10/5/98 LIC. NO. 21367

LANDECKER & ASSOCIATES INC.
WALKER, MN. 56484
PHONE 218-547-1296
PLANNING ENGINEERING SURVEYING

PROG. MGR. TLF	DATE 10/5/98	REVISIONS	COMPUTER M201
CHECKED BY TLF	SCALE 1"=50'		BOOK 143 PG. 31
DRAWN BY DRG	HORIZ. VERT. NONE		FILE NO. W98001
			SHEET 1 OF 1